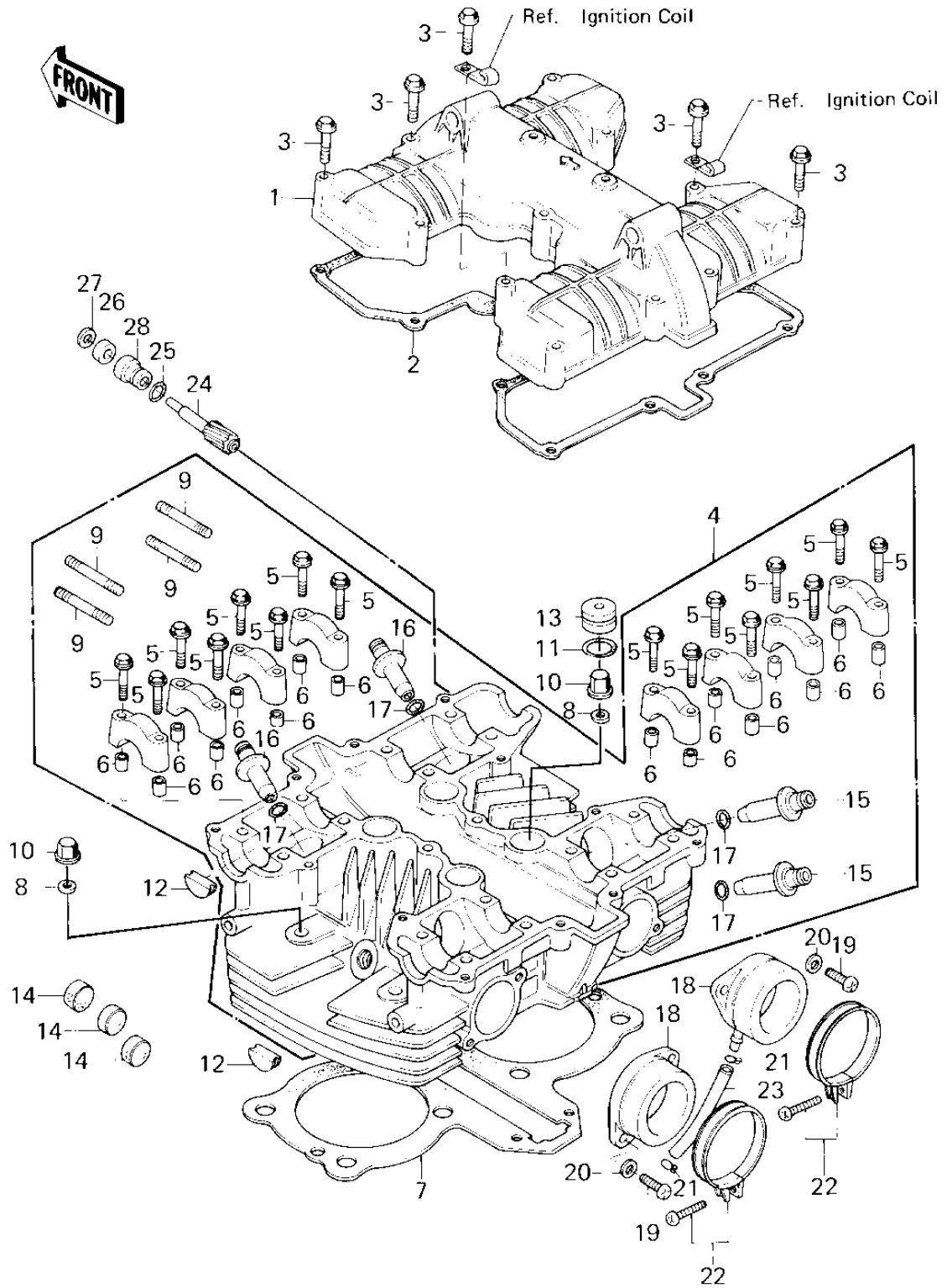


1980 750 LTD-2 PARTS DIAGRAM

CYLINDER HEAD/COVER



1980 750 LTD-2 PARTS LIST

CYLINDER HEAD/COVER

ITEM NAME	PART NUMBER	QUANTITY
COVER,CYLINDER HEAD (Ref # 1)	11022-008-2H	1
GASKET,CYL HEAD COVE (Ref # 2)	11023-008	1
BOLT,HEX HEAD,6X45 (Ref # 3)	92003-092	2
HEAD ASSY,CYL,BARREL (Ref # 4)	11002-5010	1
PIN-DOWEL (Ref # 6)	92042-007	1
GASKET,CYLINDER HEAD (Ref # 7)	11004-1055	1
WASHER PLAIN 10MM (Ref # 8)	411B1000	1
STUD,8MM (Ref # 9)	92004-058	1
NUT,CYLINDER HEAD (Ref # 10)	92015-076	1
"O" RING (Ref # 11)	92055-095	1
PLUG,CAM SHAFT (Ref # 12)	92066-047	1
PLUG,CYLINDER HEAD (Ref # 13)	92066-052	1
DAMPER RUBBER-CYL-HD (Ref # 14)	92075-109	1
GUIDE,INLET VALVE (Ref # 15)	12013-007	1
GUIDE,EXHAUST VALVE (Ref # 16)	12013-011	1
"O" RING,VALVE GUIDE (Ref # 17)	92055-065	1
HOLDER,CARBURETOR (Ref # 18)	16065-036	1
SCREW PAN HEAD 6X18 (Ref # 19)	220B0618	1
WASHER PLAIN 6MM (Ref # 20)	410B0600	1
CLAMP-PIPE (Ref # 21)	92037-072	1
CLAMP (Ref # 22)	92037-171	1
TUBE,BALANCER (Ref # 23)	92059-122	1
GEAR,TACHOMETER (Ref # 24)	13223-013	1
"O"RING 10MM (Ref # 25)	670B1510	1
OIL SEAL (Ref # 26)	92050-075	1
GASKET,TACHOMETER GE (Ref # 27)	92065-103	1
GUIDE,TACHOMETER GEA (Ref # 28)	92087-009	1