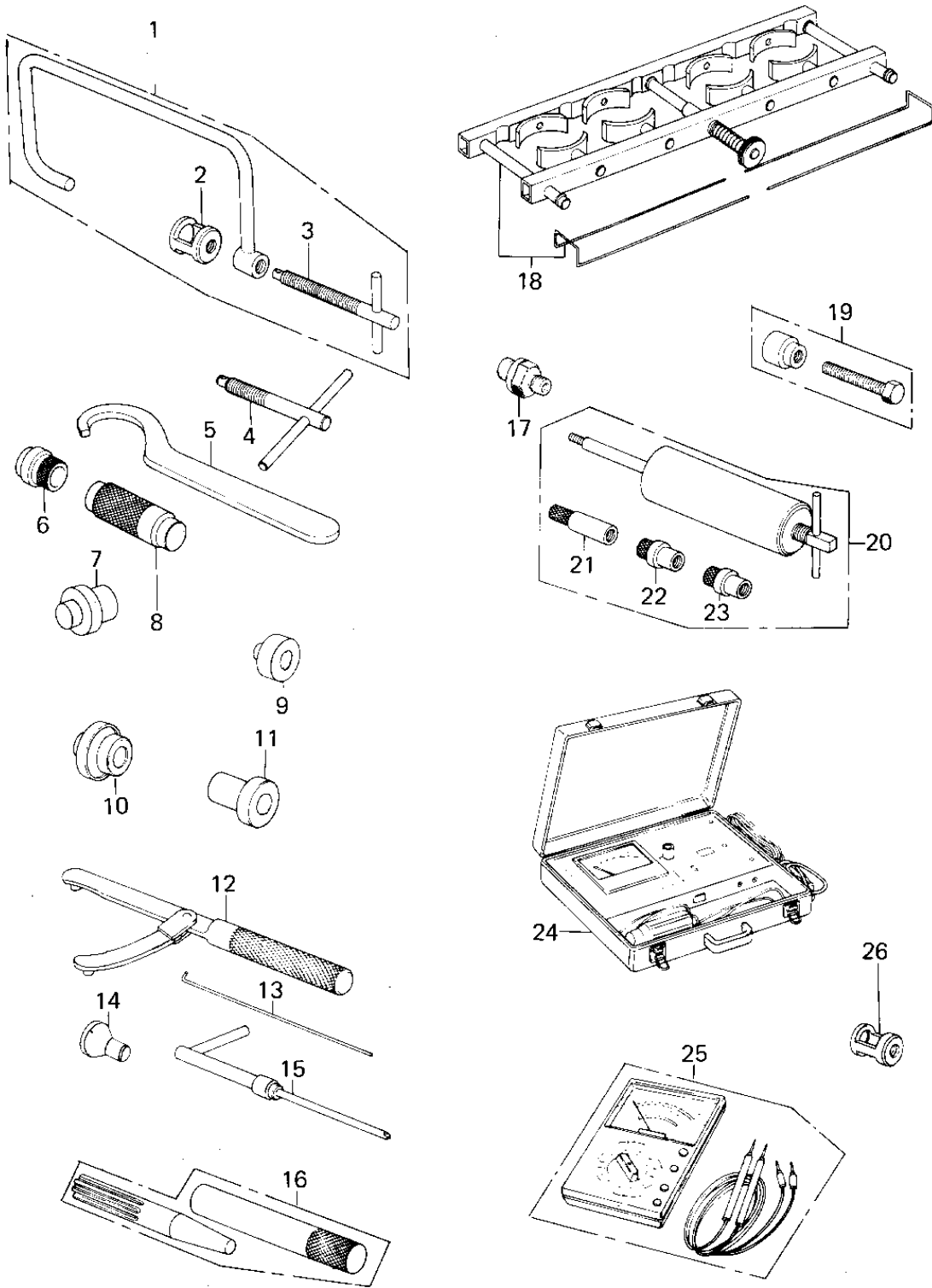


1979 PARTS DIAGRAM

SPECIAL SERVICE TOOLS "B"



1979 PARTS LIST

SPECIAL SERVICE TOOLS "B"

ITEM NAME	PART NUMBER	QUANTITY
-----------	-------------	----------