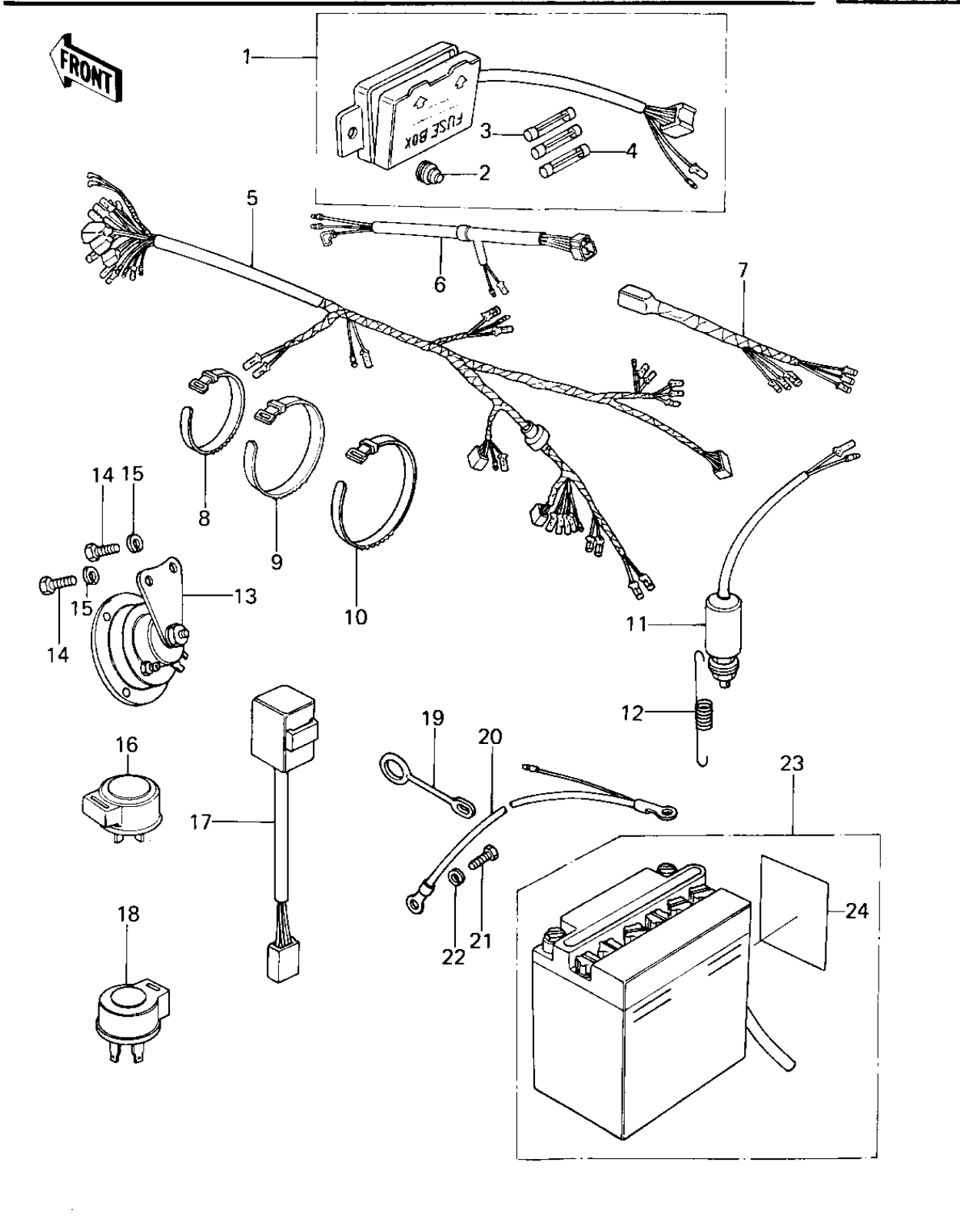


1978 KZ650 PARTS DIAGRAM

CHASSIS ELECTRICAL EQUIPMENT



1978 KZ650 PARTS LIST

CHASSIS ELECTRICAL EQUIPMENT

ITEM NAME	PART NUMBER	QUANTITY
FUSE ASSY (Ref # 1)	26004-035	1
FUSE ASSY (Ref # 1)	26004-1002	1
DAMPER RUBBER,FUSE (Ref # 2)	92075-279	1
FUSE-20A (Ref # 3)	26006-005	1
FUSE 10A (Ref # 4)	26006-003	1
WIRING HARNESS,MAIN (Ref # 5)	26001-143	1
HARNESS,MAIN (Ref # 5)	26001-1025	1
HARNESS,MAIN (Ref # 5)	26001-1131	1
HARNESS,CENTER (Ref # 6)	26001-1022	1
WIRING HARNESS,REAR (Ref # 7)	26002-063	1
BAND,SHORT (Ref # 8)	92072-030	2
BAND,MIDDLE (Ref # 9)	92072-031	1
BAND,WIRING HARNESS (Ref # 10)	92072-056	1
SWITCH-BRAKE LAMP (Ref # 11)	27010-017	1
SPRING-BRAKE LAMP SW (Ref # 12)	27011-011	1
SPRING BRAKE LAMP SW (Ref # 12)	27011-009	1
HORN (Ref # 13)	27003-076	1
BOLT-SMALL-UPSET,8X16 (Ref # 14)	115G0816	1
WASHER SPRING 8MM (Ref # 15)	461F0800	1
RELAY,TURN SIGNAL (Ref # 16)	27002-016	1
SWITCH,OUTAGE,INDICTR (Ref # 17)	28019-001	1
RELAY-TURN SIGNAL (Ref # 18)	27002-011	1
CLAMP,OVER FLOW PIPE (Ref # 19)	92037-134	1
WIRE,BATTERY GROUND (Ref # 20)	26010-049	1
BOLT,HEX HEAD,6MM (Ref # 21)	92001-137	1
WASHER SPRING 6MM (Ref # 22)	461F0600	1
YUA BAT YB10L-A2 (Ref # 23)	26012-041	1
BATTERY 12V11AH W/LA (Ref # 23)	26012-1010	1
LABEL-WARNING,BATTERY (Ref # 24)	56040-1036	1