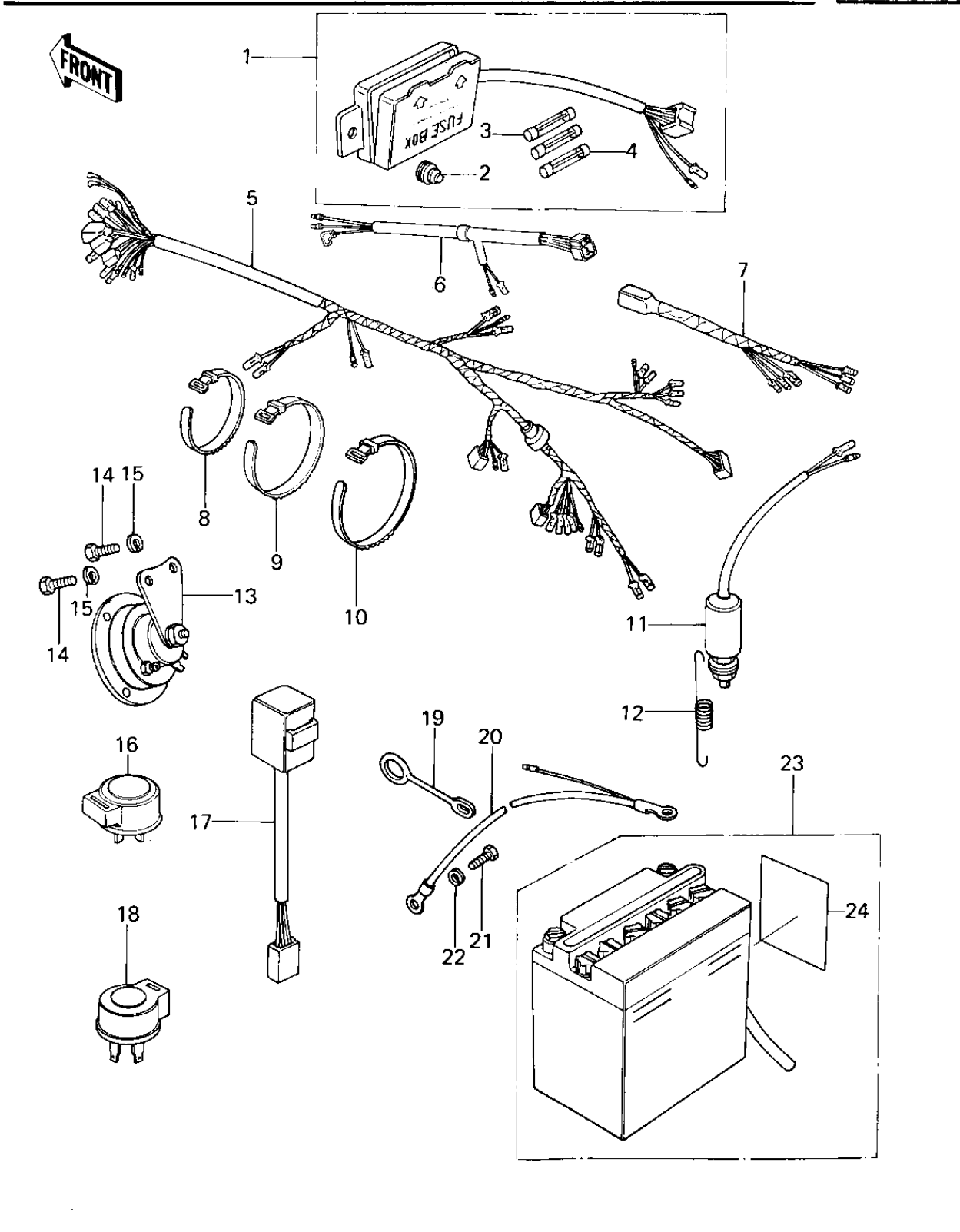


## 1977 PARTS DIAGRAM

CHASSIS ELECTRICAL EQUIPMENT



## 1977 PARTS LIST

CHASSIS ELECTRICAL EQUIPMENT

| ITEM NAME | PART NUMBER | QUANTITY |
|-----------|-------------|----------|
|-----------|-------------|----------|