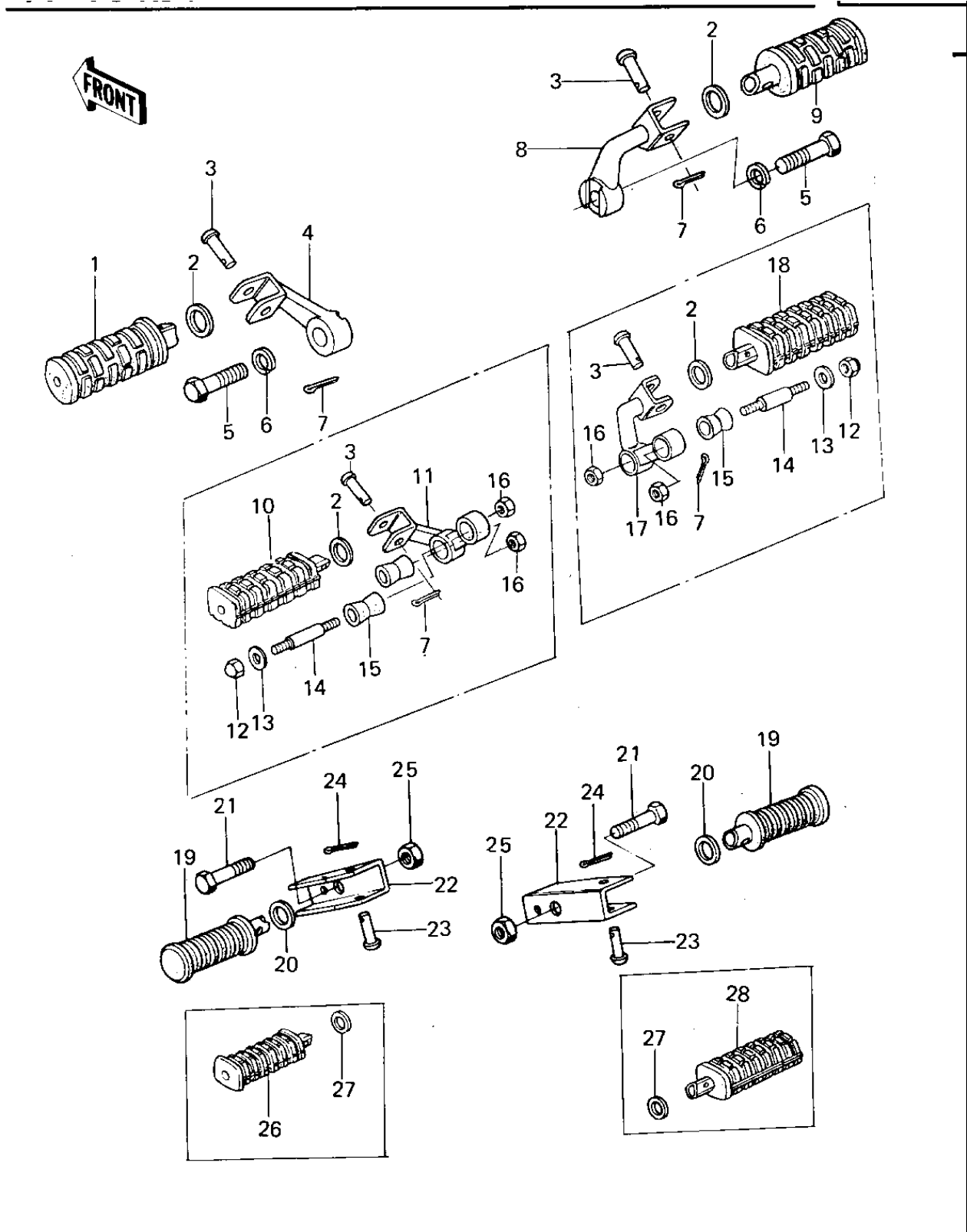


## 1979 PARTS DIAGRAM

### FOOTRESTS



## 1979 PARTS LIST

FOOTRESTS

ITEM NAME	PART NUMBER	QUANTITY
-----------	-------------	----------