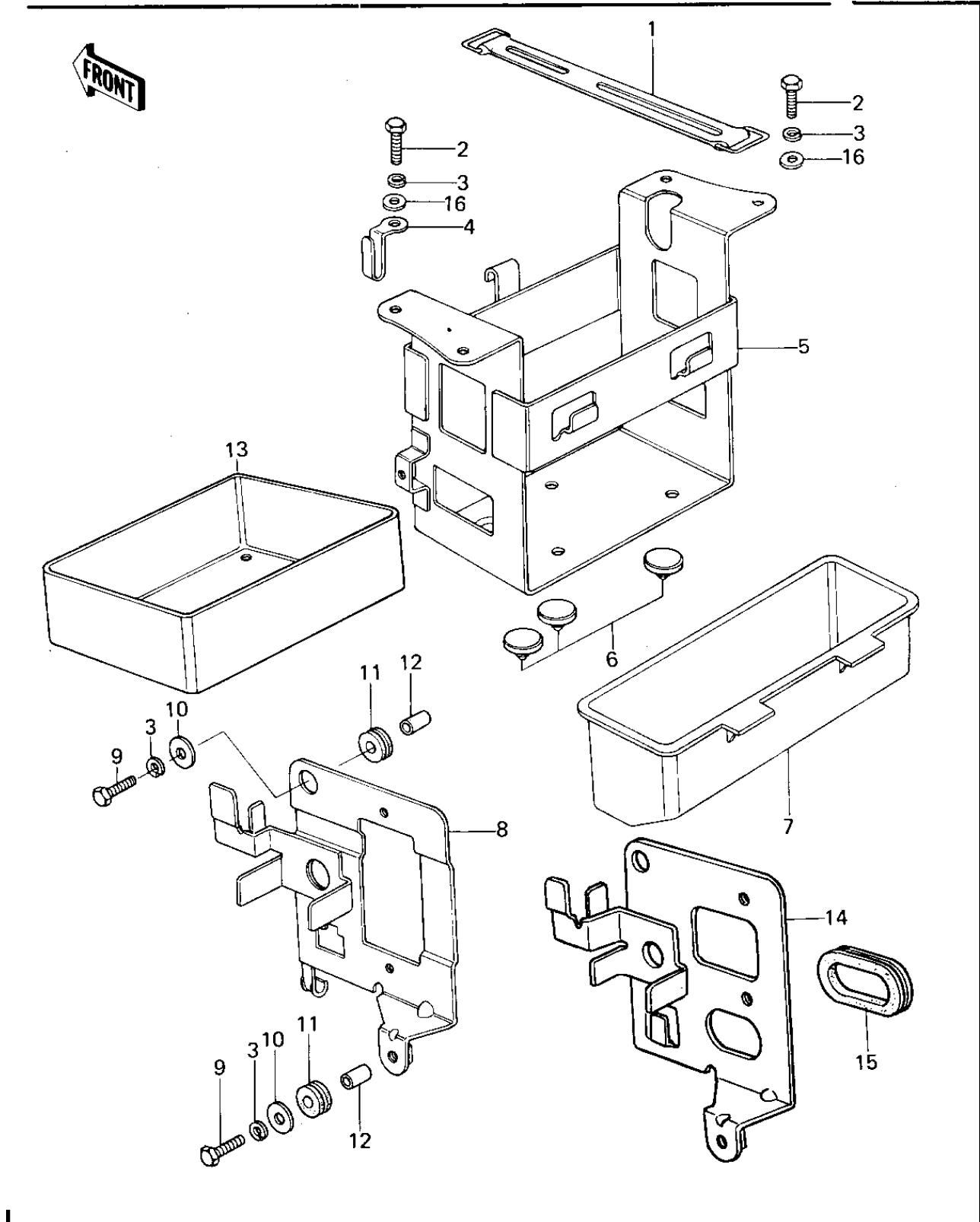


1977 PARTS DIAGRAM

BATTERY CASE/TOOL CASE



1977 PARTS LIST

BATTERY CASE/TOOL CASE

ITEM NAME	PART NUMBER	QUANTITY
-----------	-------------	----------