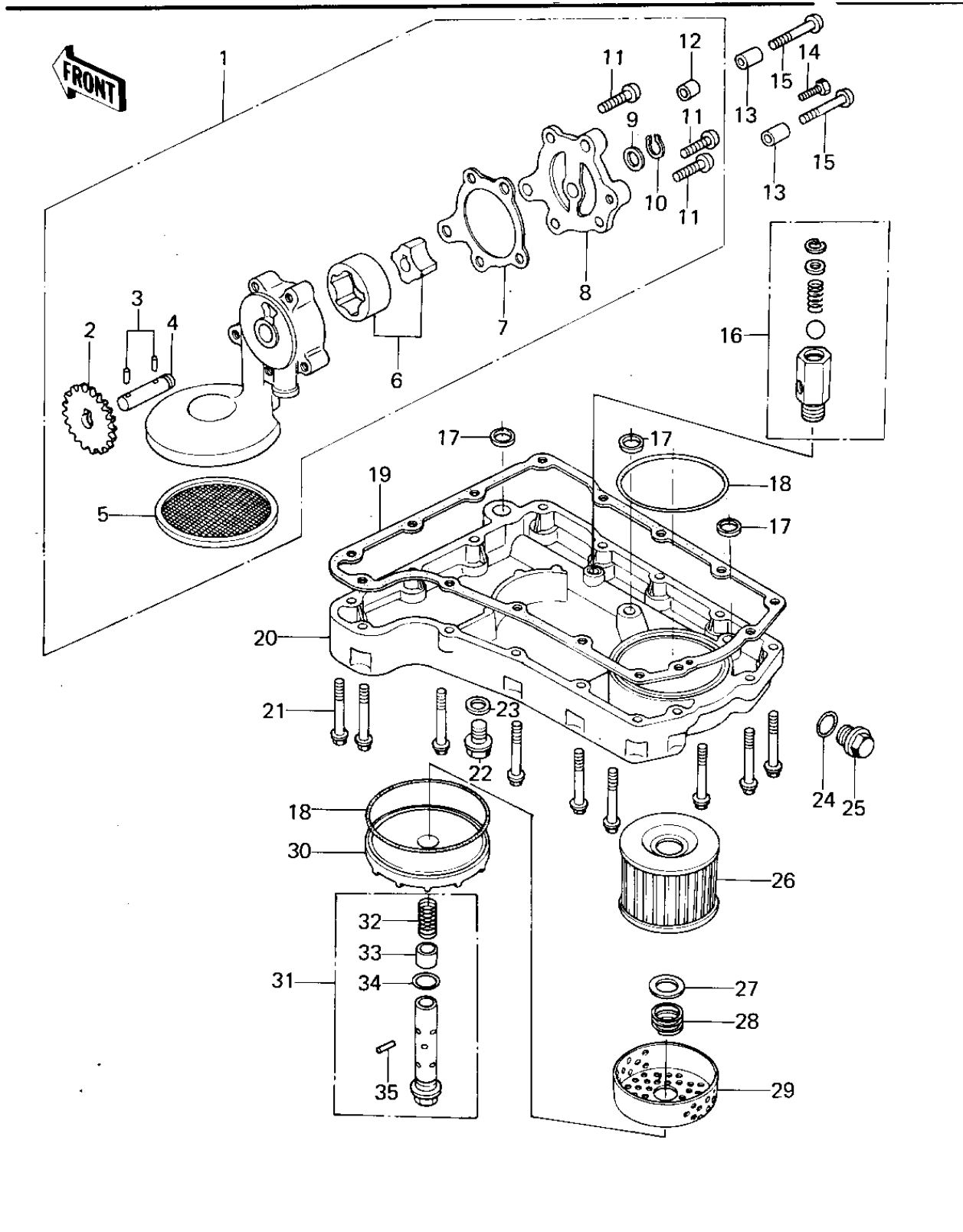


1979 PARTS DIAGRAM

OIL PUMP/OIL FILTER/OIL PAN



1979 PARTS LIST

OIL PUMP/OIL FILTER/OIL PAN

ITEM NAME	PART NUMBER	QUANTITY
-----------	-------------	----------