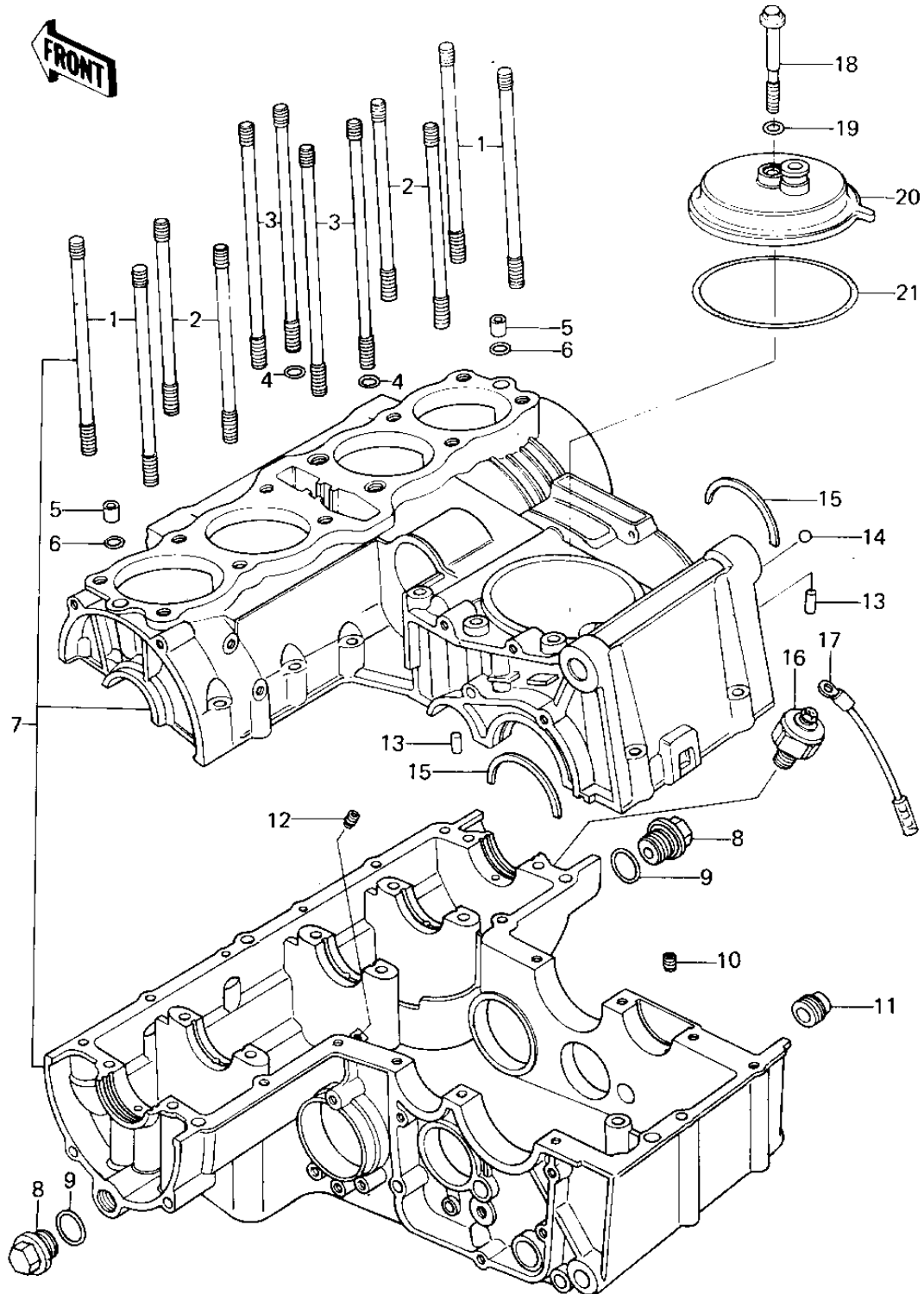


## 1977 PARTS DIAGRAM

### CRANKCASE/BREATHER COVER



## 1977 PARTS LIST

CRANKCASE/BREATHER COVER

ITEM NAME	PART NUMBER	QUANTITY
-----------	-------------	----------