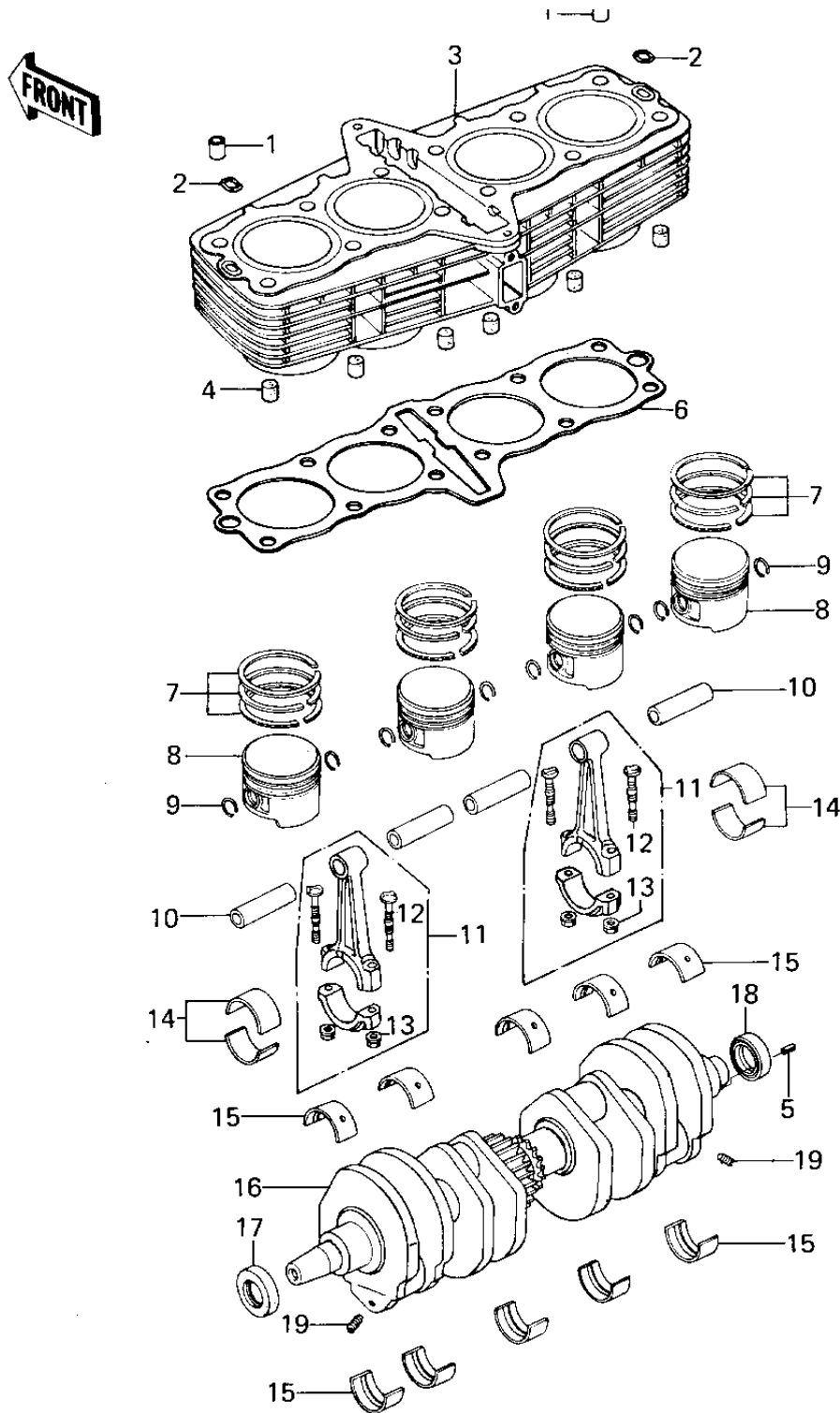


## 1979 PARTS DIAGRAM

CYLINDER/PISTONS/CRANKSHAFT



## 1979 PARTS LIST

CYLINDER/PISTONS/CRANKSHAFT

ITEM NAME	PART NUMBER	QUANTITY
-----------	-------------	----------