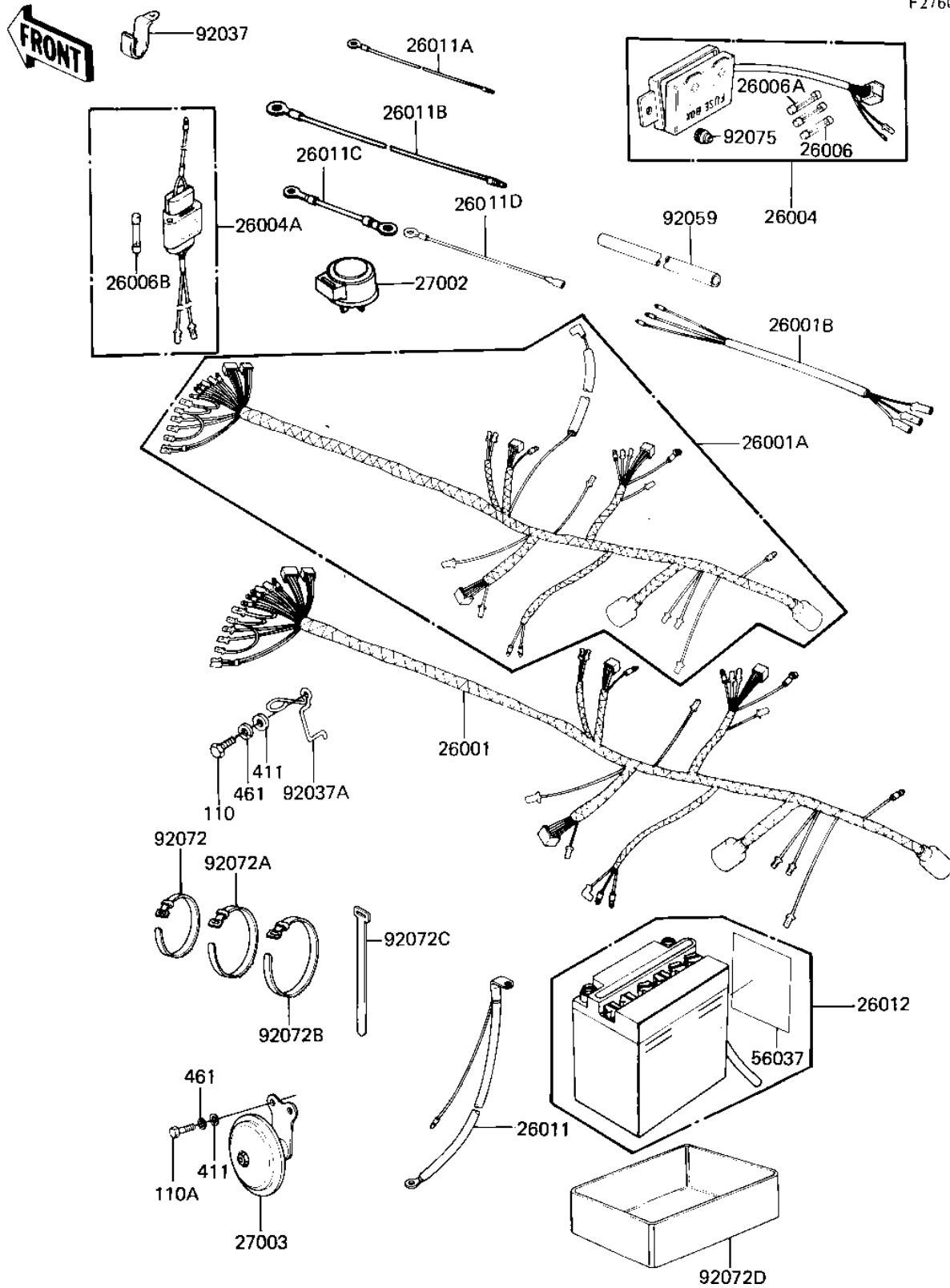


1981 305 CSR PARTS DIAGRAM

CHASSIS ELECTRICAL/EQUIPMENT

F2760-0046



1981 305 CSR PARTS LIST

CHASSIS ELECTRICAL/EQUIPMENT

ITEM NAME	PART NUMBER	QUANTITY
HARNESS,MAIN (Ref # 26001)	26001-1222	1
WIRING HARNESS,REAR (Ref # 26001B)	26002-041	1
FUSE ASSY (Ref # 26004)	26004-035	1
FUSE-ASSY,ACCESSORY (Ref # 26004A)	26004-1014	1
FUSE 10A (Ref # 26006)	26006-003	1
FUSE-20A (Ref # 26006A)	26006-005	1
FUSE,10A,L=30M/M (Ref # 26006B)	26006-1002	1
WIRE,BATTERY GROUND (Ref # 26011)	26010-052	1
LEAD WIRE,SIGNAL LAMP (Ref # 26011A)	26011-063	1
WIRE,LEAD (Ref # 26011B)	26011-095	1
WIRE-LEAD,CRANKCASE (Ref # 26011C)	26011-1034	1
WIRE-LEAD,ACCESSORY (Ref # 26011D)	26011-1110	1
BATTERY 12V11AH W/LA (Ref # 26012)	26012-1010	1
RELAY-TURN SIGNAL (Ref # 27002)	27002-011	1
HORN (Ref # 27003)	27003-1348	1
LABEL-WARNING,BATTERY (Ref # 56037)	56040-1036	1
CLAMP,WIRING HARNESS (Ref # 92037)	92037-1069	1
CLAMP (Ref # 92037A)	92037-202	1
TUBE,P.V.C,8X9X200 (Ref # 92059)	92059-1150	1
BAND,SHORT (Ref # 92072)	92072-030	1
BAND,MIDDLE (Ref # 92072A)	92072-031	1
BAND,LONG (Ref # 92072B)	92072-032	1
BAND,BATTERY (Ref # 92072D)	92072-1020	1
DAMPER RUBBER,FUSE (Ref # 92075)	92075-279	1
BOLT-UPSET,6X12 (Ref # 110)	112G0612	1
BOLT-UPSET,6X16 (Ref # 110A)	112G0616	1
WASHER PLAIN 6MM (Ref # 411)	411B0600	1
WASHER SPRING 6MM (Ref # 461)	461F0600	1