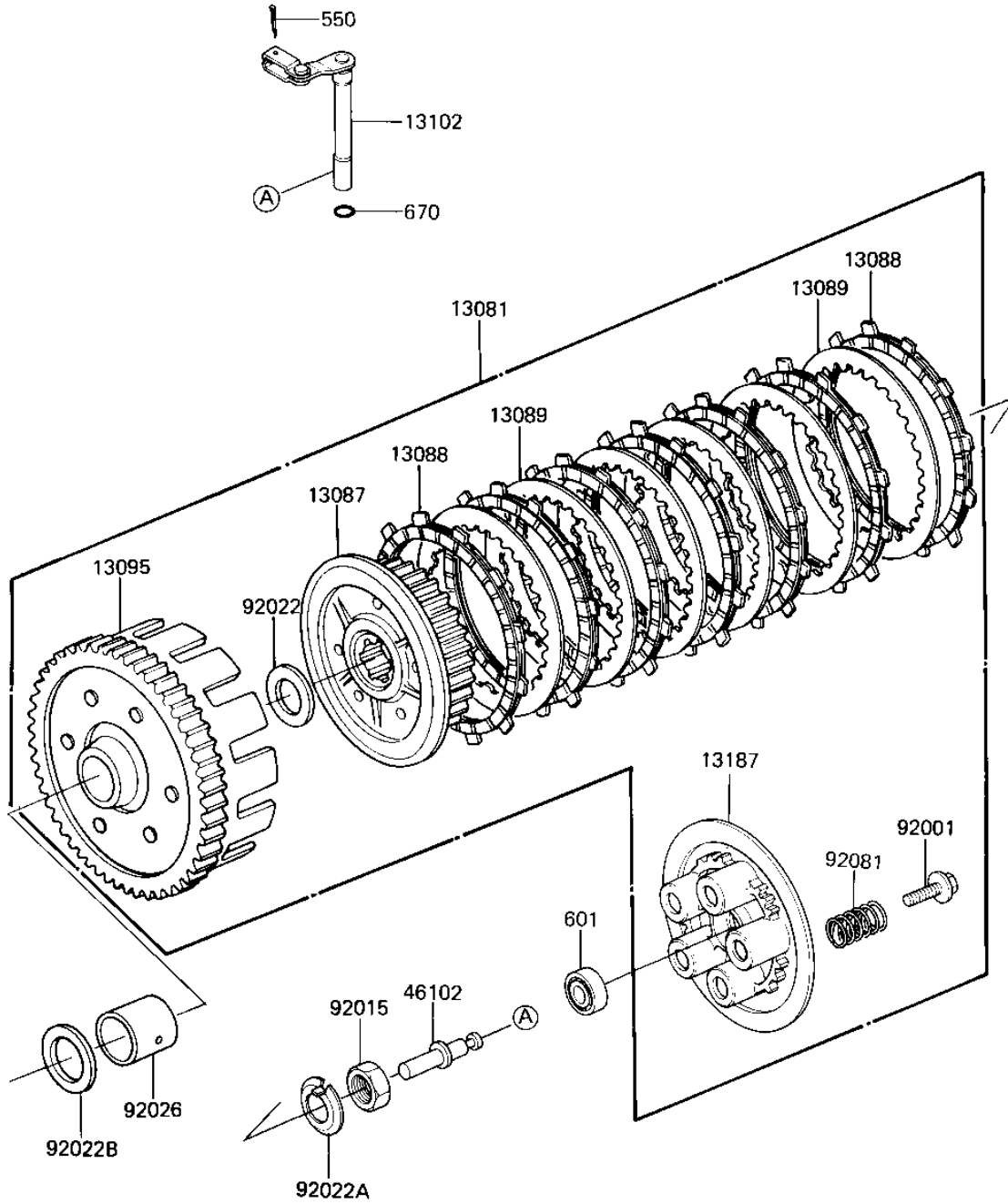


1981 305 CSR PARTS DIAGRAM

CLUTCH (KZ305-A2)

E 1350-0021



1981 305 CSR PARTS LIST

CLUTCH (KZ305-A2)

ITEM NAME	PART NUMBER	QUANTITY
CLUTCH-ASSY (Ref # 13081)	13081-1065	1
HUB-CLUTCH (Ref # 13087)	13087-1005	1
PLATE-FRICTION (Ref # 13088)	13088-1009	1
PLATE,CLUTCH,STEEL (Ref # 13089)	13089-1005	1
HOUSING-COMP-CLUTCH (Ref # 13095)	13095-1020	1
RELEASE-COMP-CLUTCH (Ref # 13102)	13102-1009	1
PLATE-CLUTCH OPERATIN (Ref # 13187)	13187-1018	1
ROD (Ref # 46102)	46102-1030	1
BOLT,CLUTCH SPR FITT (Ref # 92001)	92001-1066	1
NUT 20MM (Ref # 92015)	92016-028	1
WASHER PLAIN (Ref # 92022)	92022-1075	1
WASHER,LOCK,20MM (Ref # 92022A)	92022-1142	1
WASHER TH 25.5X38X1T (Ref # 92022B)	92022-145	1
SPACER,CLUTCH BUSHING (Ref # 92026)	92026-1052	1
SPRING,CLUTCH (Ref # 92081)	92081-1078	1
PIN COTTER 1.6X15 (Ref # 550)	550D1615	1
BEARING-BALL (Ref # 601)	92045-1235	1
"O" RING,9MM (Ref # 670)	670B1509	1