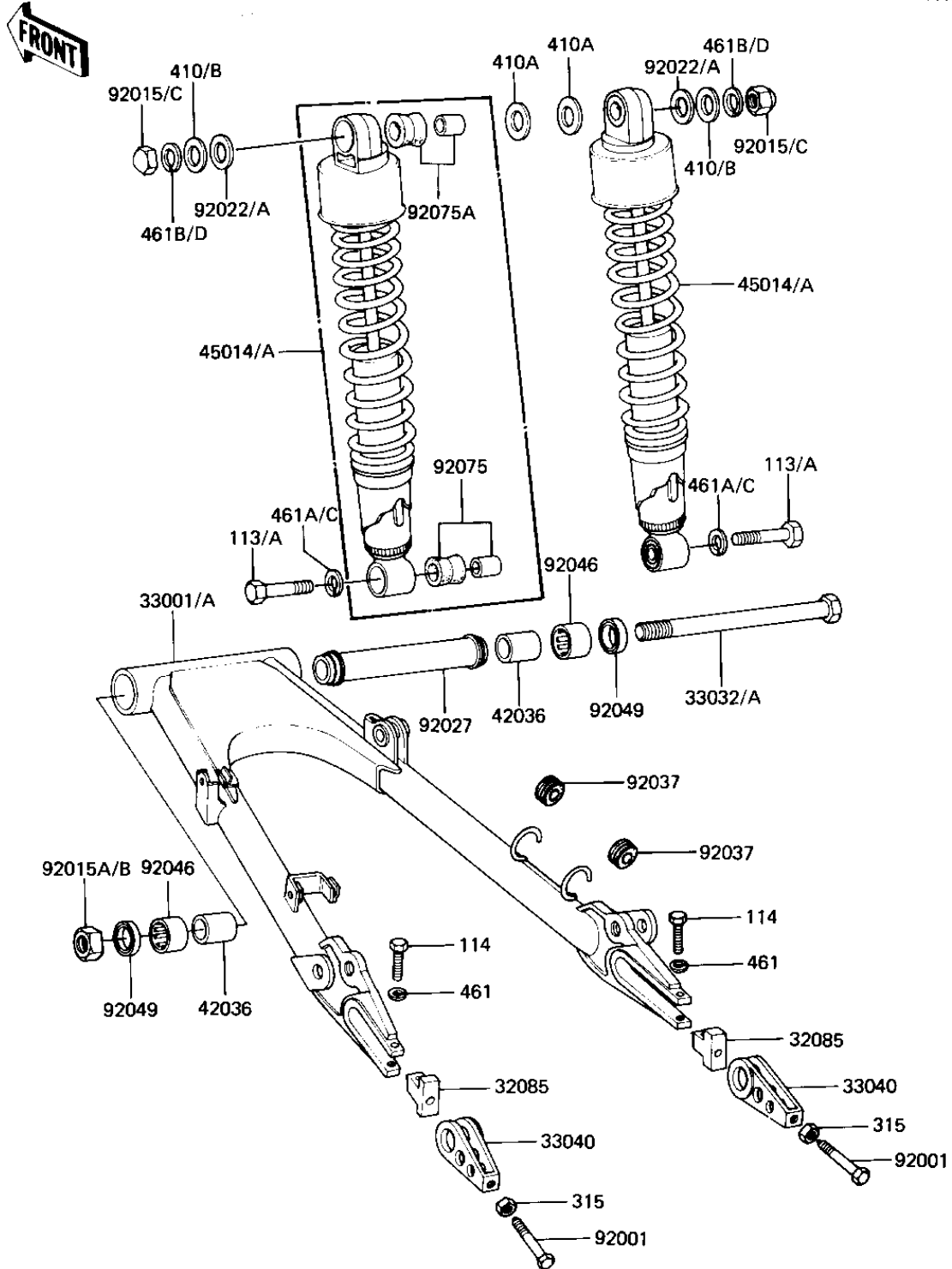


## 1981 1000 GP PARTS DIAGRAM

SWING ARM/SHOCK ABSORBERS

F2140-0113



## 1981 1000 GP PARTS LIST

### SWING ARM/SHOCK ABSORBERS

ITEM NAME	PART NUMBER	QUANTITY
STOPPER,CHAIN ADJUST (Ref # 32085)	33044-001	1
ARM-COMP-SWING,BLACK (Ref # 33001)	33001-1217	1
SHAFT,SWING ARM PIVOT (Ref # 33032)	33032-036	1
ADJUSTER,CHAIN (Ref # 33040)	33040-066	1
SLEEVE,SWING ARM (Ref # 42036)	42036-1040	1
SHOCK ABSBR RR (Ref # 45014)	45014-1135	1
BOLT-CHN ADJUST 10MM (Ref # 92001)	92001-143	1
NUT-SELF LOCKING (Ref # 92015B)	92019-012	1
NUT 12MM (Ref # 92015C)	92020-014	1
WASHER,12.4X28X2.3 (Ref # 92022)	92022-1239	1
COLLAR,SWING ARM,L=15 (Ref # 92027)	92027-1301	1
DAMPER RUBBER (Ref # 92037)	43064-007	1
BEARING-NEEDLE (Ref # 92046)	92046-1035	1
SEAL-OIL (Ref # 92049)	92049-1060	1
BUSHING,SHOCK ABSORBE (Ref # 92075)	45017-019	1
BUSHING,SHOCK ABSORBE (Ref # 92075A)	92075-1141	1
BOLT HEX HEAD 10X35 (Ref # 113A)	113N1035	1
BOLT,8X40 (Ref # 114)	115G0840	1
NUT 10MM (Ref # 315)	315B1000	1
WASHER PLAIN 12MM (Ref # 410)	410B1200	1
WASHER PLAIN 14MM (Ref # 410A)	410B1400	1
WASHER SPRING 8MM (Ref # 461)	461F0800	1
WASHER SPRING 10MM (Ref # 461A)	461F1000	1
WASHER SPRING 12MM (Ref # 461B)	461F1200	1