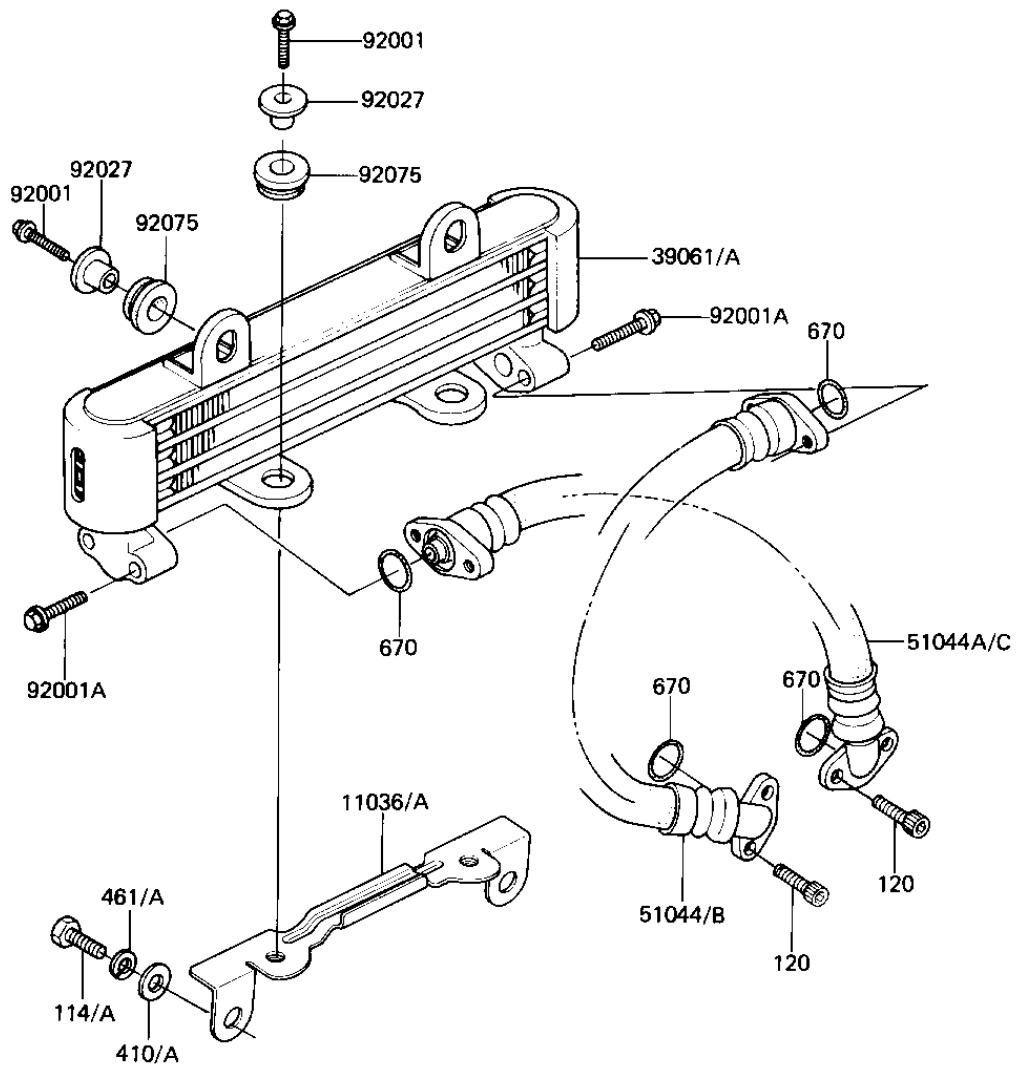


1981 1000 GP PARTS DIAGRAM

OIL COOLER

E3034-0001



1981 1000 GP PARTS LIST

OIL COOLER

ITEM NAME	PART NUMBER	QUANTITY
BRACKET-A,OIL COOLER (Ref # 11036)	11036-1160	1
EXCHANGER-ASSY-HEAT (Ref # 39061)	39061-1006-10	1
TUBE-ASSY,OIL COOLER (Ref # 51044)	51044-1030	1
TUBE-ASSY,OIL COOLER (Ref # 51044A)	51044-1031	1
BOLT-FLANGED,6X20 (Ref # 92001)	130J0620	1
BOLT,FLANGED,6X25,BLK (Ref # 92001A)	92001-1467	1
COLLAR,FLANGED,L=12.1 (Ref # 92027)	92027-1651	1
DAMPER RUBBER (Ref # 92075)	92075-277	1
BOLT-SMALL-UPSET,8X16 (Ref # 114)	115G0816	1
BOLT-SOCKET,6X16,BLAC (Ref # 120)	120S0616	1
WASHER PLAIN 8MM (Ref # 410)	410B0800	1
WASHER SPRING 8MM (Ref # 461)	461F0800	1
O RING,14MM (Ref # 670)	670D2014	1