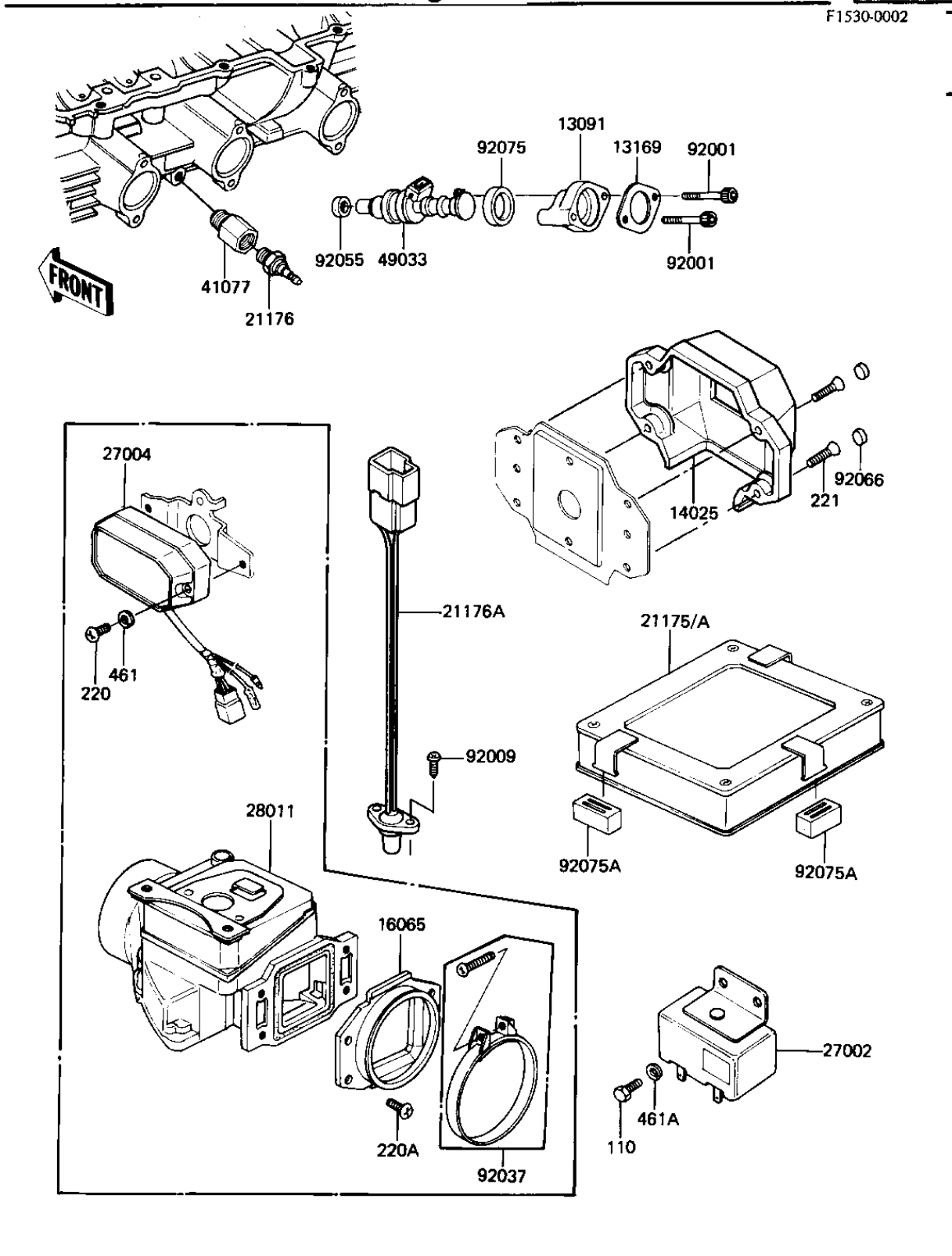


1981 1000 GP PARTS DIAGRAM

INJECTORS/ELECTRICAL EQUIPMENT



1981 1000 GP PARTS LIST

INJECTORS/ELECTRICAL EQUIPMENT

ITEM NAME	PART NUMBER	QUANTITY
HOLDER,FUEL INJECTOR (Ref # 13091)	13091-1092	1
PLATE,FUEL INJECTOR,B (Ref # 13169)	13169-1434	1
HOLDER,AIR FLOW METER (Ref # 16065)	16065-1038	1
CONTROL UNIT-ELECTRON (Ref # 21175)	21175-1003	1
SENSOR-TEMPERATURE (Ref # 21176)	21176-1002	1
RELAY ASSY (Ref # 27002)	27002-1007	1
SWITCH-ASSY,THROTTLE (Ref # 27004)	27004-1009	1
METER,AIR FLOW (Ref # 28011)	28011-1010	1
INJECTOR,FUEL (Ref # 49033)	49033-1001	1
BOLT-SOCKET (Ref # 92001)	120S0540	1
CLAMP,ID=80 (Ref # 92037)	92037-1237	1
INSULATOR,FUEL INJECT (Ref # 92055)	92055-1082	1
INSULATOR,FUEL INJECT (Ref # 92075)	92075-1240	1
DAMPER,CONTROL UNIT (Ref # 92075A)	92075-1312	1
BOLT-UPSET,6X12 (Ref # 110)	112G0612	1
SCREW-PAN-CRROSS,4X12 (Ref # 220)	220B0412	1
SCREW PAN HEAD 6X12 (Ref # 220A)	220B0612	1
WASHER SPRING 4MM (Ref # 461)	461F0400	1
WASHER SPRING 6MM (Ref # 461A)	461F0600	1