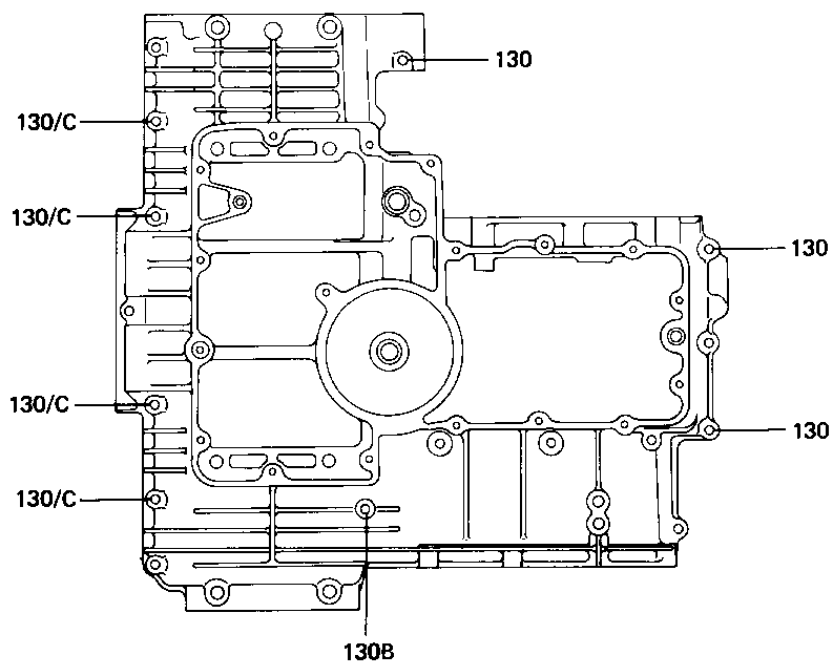
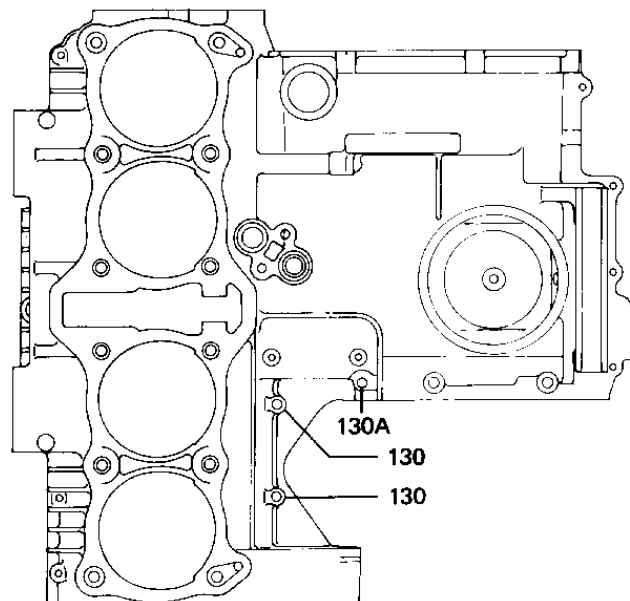


## 1981 1000 GP PARTS DIAGRAM

CRANKCASE BOLT & STUD PATTERN

E1412-0009



## 1981 1000 GP PARTS LIST

CRANKCASE BOLT & STUD PATTERN

ITEM NAME	PART NUMBER	QUANTITY
BOLT,FLANGED,6X40 (Ref # 130)	130G0640	1
BOLT-FLANGED,6X50 (Ref # 130A)	130G0650	1
BOLT-FLANGED,6X95 (Ref # 130B)	130G0695	1