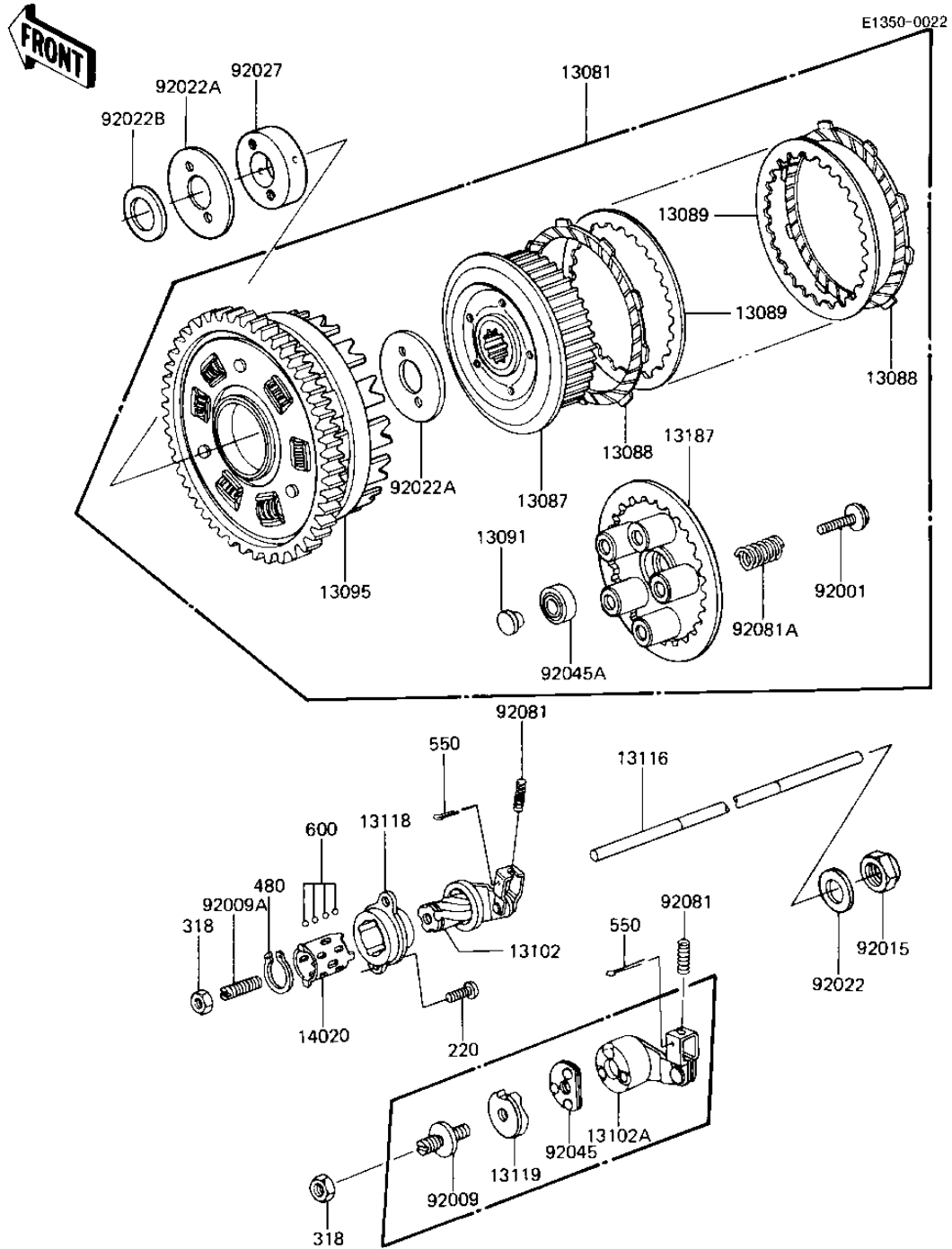


## 1981 1000 Standard PARTS DIAGRAM

CLUTCH



## 1981 1000 Standard PARTS LIST

### CLUTCH

ITEM NAME	PART NUMBER	QUANTITY
CLUTCH-ASSY (Ref # 13081)	13081-1057	1
HUB-CLUTCH (Ref # 13087)	13087-1015	1
PLATE-FRICTION (Ref # 13088)	13088-1013	1
PLATE,CLUTCH,STEEL (Ref # 13089)	13089-1004	1
HOLDER (Ref # 13091)	13091-1085	1
HOUSING-COMP-CLUTCH (Ref # 13095)	13095-1037	1
INNER,CLUTCH RELEASE (Ref # 13102)	13102-019	1
ROD-PUSH (Ref # 13116)	13116-1033	1
OUTER,CLUTCH RELEASE (Ref # 13118)	13118-011	1
PLATE-CLUTCH OPERATIN (Ref # 13187)	13187-1006	1
RETAINER (Ref # 14020)	13197-004	1
BOLT,CLUTCH SPR FITT (Ref # 92001)	92001-1066	1
SCREW,SLOTTED,8X25 (Ref # 92009A)	92014-014	1
NUT,20MM (Ref # 92015)	92015-1555	1
WASHER,PLAIN,2.3X20.3 (Ref # 92022)	92022-1116	1
WASHER,CLUTCH THRUST (Ref # 92022A)	92022-1221	1
WASHER (Ref # 92022B)	92022-1223	1
COLLAR (Ref # 92027)	92027-1284	1
BEARING-BALL (Ref # 92045A)	92045-1235	1
SPRING-CLUTCH RELEASE (Ref # 92081)	92081-069	1
SPRING,CLUTCH (Ref # 92081A)	92081-1033	1
SCREW PAN HEAD 6X16 (Ref # 220)	220B0616	1
NUT 8MM (Ref # 318)	318B0800	1
CIRCLIP 15MM (Ref # 480)	480J1500	1
PIN COTTER 1.6X15 (Ref # 550)	550D1615	1
BALL,STEEL,1/8" (Ref # 600)	600A0400	1