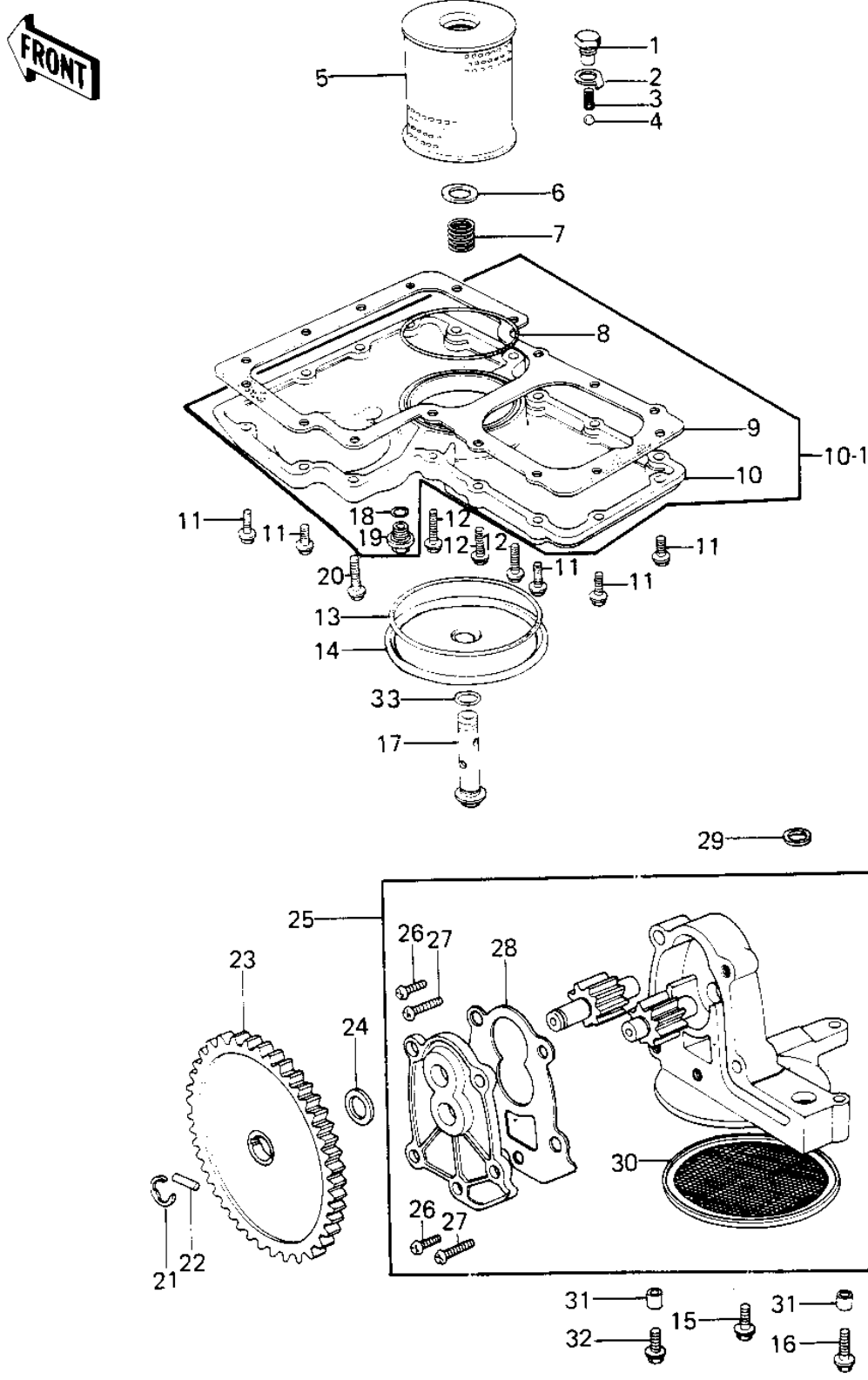


1979 Police 1000 PARTS DIAGRAM

OIL PUMP/OIL FILTER/OIL PAN ('79-'81 C2/



102

1979 Police 1000 PARTS LIST

OIL PUMP/OIL FILTER/OIL PAN ('79-'81 C2/

ITEM NAME	PART NUMBER	QUANTITY
BOLT (Ref # 1)	92003-095	1
WASHER,LOCK (Ref # 2)	92024-048	1
SPRING (Ref # 3)	92081-109	1
BALL STEEL 3/8' (Ref # 4)	600A1200	1
ELEMENT,OIL FILTER (Ref # 5)	16099-002	1
WASHER,20.5X30X1.0 (Ref # 6)	92022-1012	1
SPRING,OIL FILTER (Ref # 7)	92081-1018	1
"O" RING,91MM (Ref # 8)	92055-052	1
GASKET,OIL PAN (Ref # 9)	11060-1074	1
PAN-OIL (Ref # 10)	49034-5020	2
BOLT,FLANGED,6X25 (Ref # 11)	130G0625	1
BOLT, HEX HEAD, 6X34 (Ref # 12)	92003-159	1
"O" RING,105MM (Ref # 13)	671B25105	1
COVER,OIL FILTER (Ref # 14)	14025-1112	1
BOLT,FLANGED,6X22 (Ref # 15)	92001-1352	1
BOLT,HEX HEAD,6X45 (Ref # 16)	92001-165	1
BOLT,OIL FILTER (Ref # 17)	92001-1074	1
"O" RING,22MM (Ref # 18)	670B2022	2
PLUG,OIL DRAIN (Ref # 19)	92001-1183	1
BOLT-FLANGED,6X50 (Ref # 20)	130G0650	1
CIRCLIP,7MM (Ref # 21)	482K7000	1
PIN,DOWEL,3X14 (Ref # 22)	551A0314	1
GEAR,OIL PUMP 49T (Ref # 23)	16085-019	1
WASHER,LOCK,16MM (Ref # 24)	92026-080	1
PUMP-ASSY-OIL (Ref # 25)	16082-5001	1
SCREW PAN HEAD 6X18 (Ref # 26)	220B0618	1
SCREW PAN HEAD 6X28 (Ref # 27)	220B0628	1
GASKET,OIL PUMP (Ref # 28)	11009-1029	1
O RING,0.D=18MM (Ref # 29)	92055-048	1

1979 Police 1000 PARTS LIST

OIL PUMP/OIL FILTER/OIL PAN ('79-'81 C2/

ITEM NAME	PART NUMBER	QUANTITY
STRAINER,OIL PUMP (Ref # 30)	16111-004	1
PIN,DOWEL,8X10 (Ref # 31)	92043-1302	1
BOLT,HEX HEAD,6X35 (Ref # 32)	92001-164	1