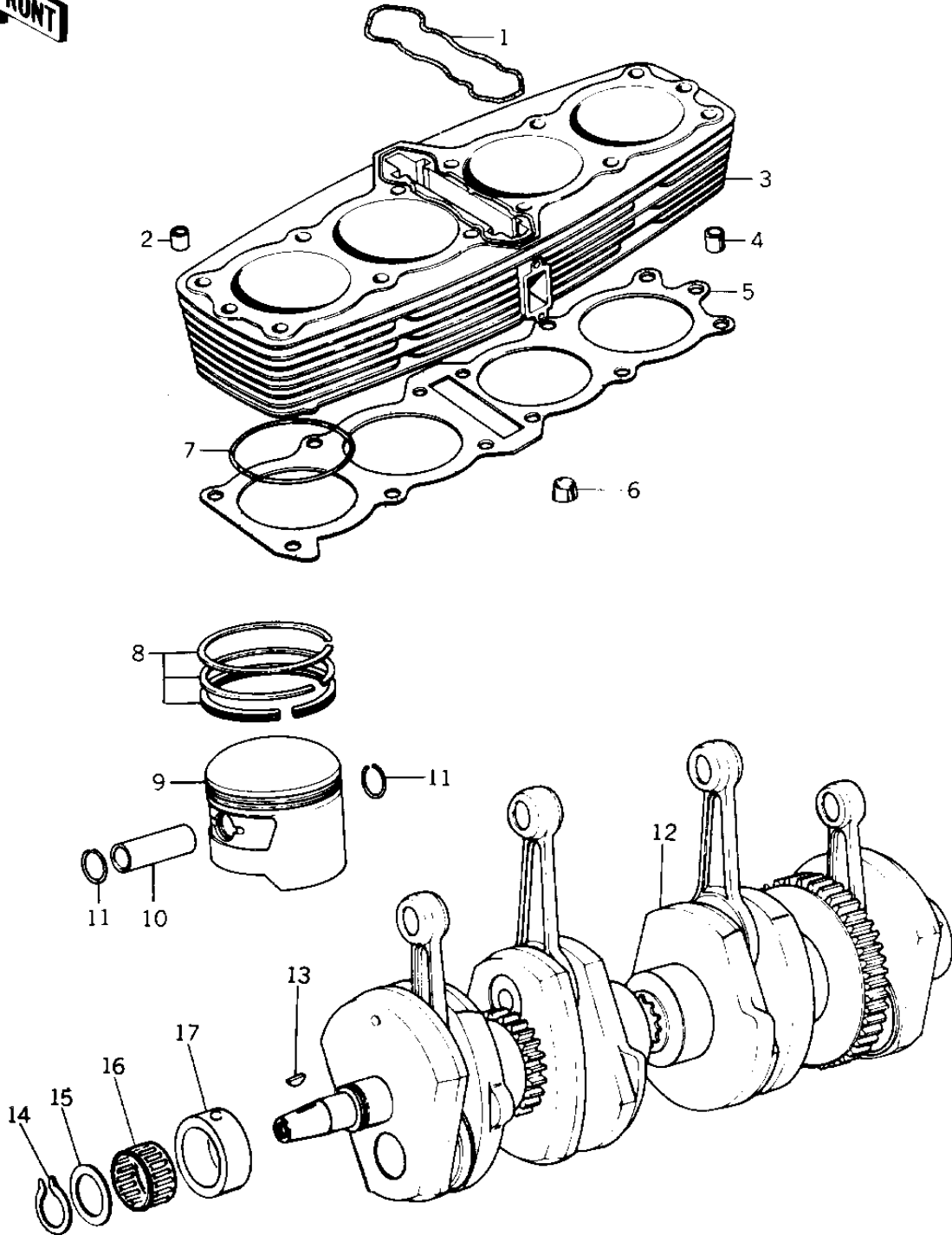


1977 1000 LTD PARTS DIAGRAM

CYLINDER/PISTONS/CRANKSHAFT ('77-'78 B1/



1977 1000 LTD PARTS LIST

CYLINDER/PISTONS/CRANKSHAFT ('77-'78 B1/

ITEM NAME	PART NUMBER	QUANTITY
GASKET,CYLINDER RUBER (Ref # 1)	92055-062	1
PIN,DOWEL,10X8.2X14 (Ref # 2)	92043-1037	1
CYLINDER (Ref # 3)	11005-163-2H	1
PIN,11X14X12.3 (Ref # 4)	92043-1266	1
GASKET,CYLINDER BASE (Ref # 5)	11009-030	1
RUBBER PLUG,CYLINDER (Ref # 6)	92074-030	1
"O" RING,73MM (Ref # 7)	92055-054	1
RING SET,STD (Ref # 8)	13008-5012	2
RING SET,0.020"O/S (Ref # 8)	13025-5007	2
RING SET,0.040"O/S (Ref # 8)	13024-5008	2
PISTON,S.T.D (Ref # 9)	13001-1005	2
PISTON,0.020"O/S (Ref # 9)	13029-078	1
PISTON,0.020 O/S (Ref # 9)	13029-1003	1
PISTON,0.040"O/S (Ref # 9)	13027-1003	2
PIN-PISTON (Ref # 10)	13002-022	1
CIRCLIP,PISTON PIN (Ref # 11)	92036-021	1
CRANKSHAFT ASSY (Ref # 12)	13031-056	1
CRANKSHAFT ASSY (Ref # 12)	13031-1006	1
WOODRUFF KEY (Ref # 13)	92038-001	1
CIRCLIP,30MM (Ref # 14)	480J3000	1
WASHER,THRUST (Ref # 15)	92026-079	1
BRG,N,PK304016.8X3 (Ref # 16)	92046-063	1
BUSHING,CRANKSHAFT (Ref # 17)	92028-121	1