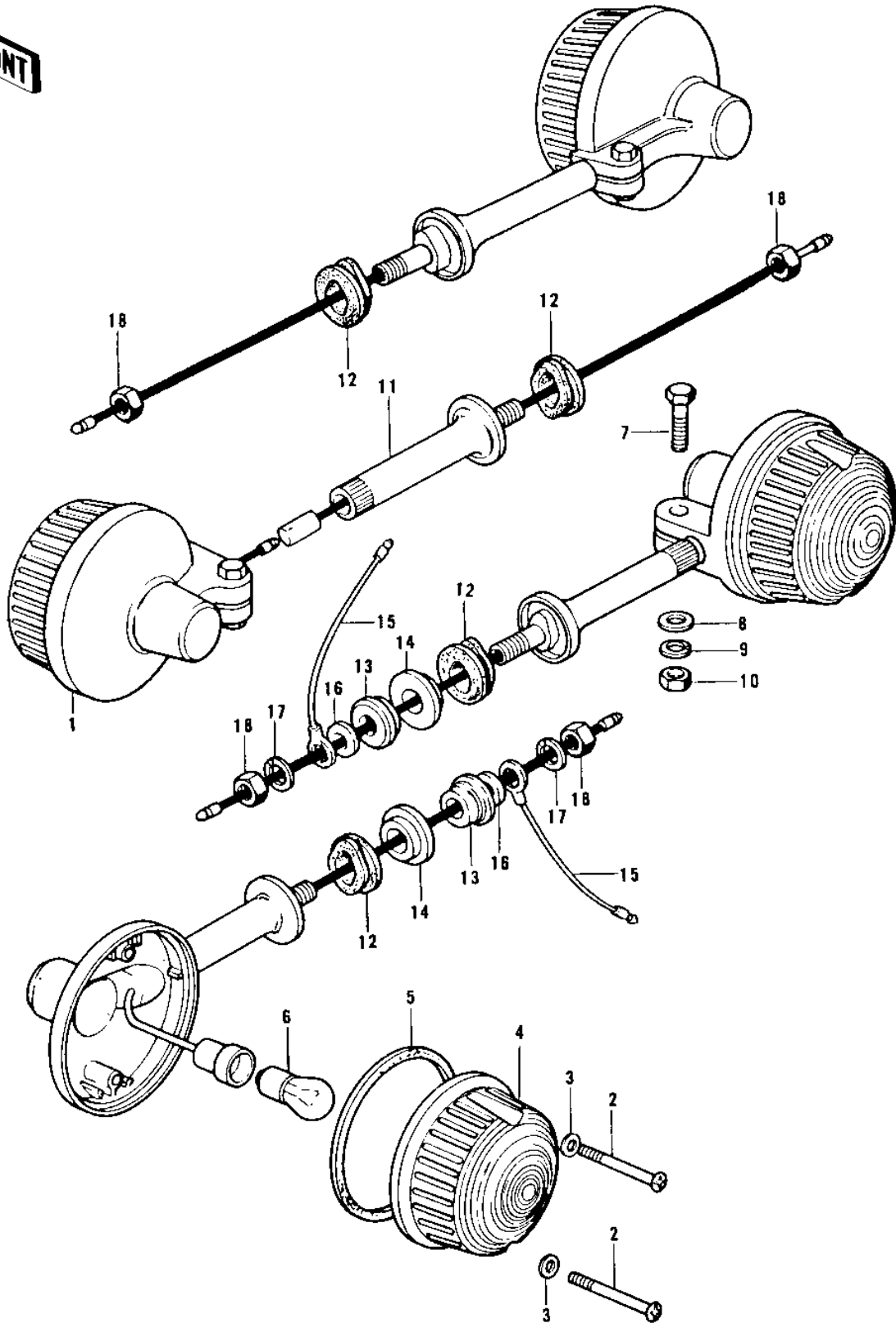


## 1973 PARTS DIAGRAM

TURN SIGNAL



## 1973 PARTS LIST

### TURN SIGNAL

ITEM NAME	PART NUMBER	QUANTITY
LAMP ASSY,TURN SIGNAL (Ref # 1)	23040-034	1
SCREW-PAN HEAD,4X35 (Ref # 2)	220E0435A	1
WASHER-PLAIN,4MM (Ref # 3)	23058-002	1
LENS-SIGNAL LAMP (Ref # 4)	23048-1024	1
GASKET,TURN SIG LAMP (Ref # 5)	23050-002	1
BULB 12V 32CP (Ref # 6)	92069-055	1
BOLT HEX HEAD 6X30 (Ref # 7)	110N0630	1
WASHER PLAIN 6MM (Ref # 8)	411B0600	1
WASHER SPRING 6MM (Ref # 9)	461F0600	1
NUT 6MM (Ref # 10)	310B0600	1
BRACKET-TURN SIG LAMP (Ref # 11)	23078-001	1
DAMPER RUBBER (Ref # 12)	92075-128	1
COLLAR (Ref # 13)	92027-147	1
DAMPER RUBBER,SIG LM (Ref # 14)	92075-158	1
LEAD WIRE,SIGNAL LAMP (Ref # 15)	26011-063	1
WASHER,PLAIN (Ref # 16)	92022-239	1
WASHER SPRING 10MM (Ref # 17)	461F1000	1
NUT 10MM (Ref # 18)	315B1000	1