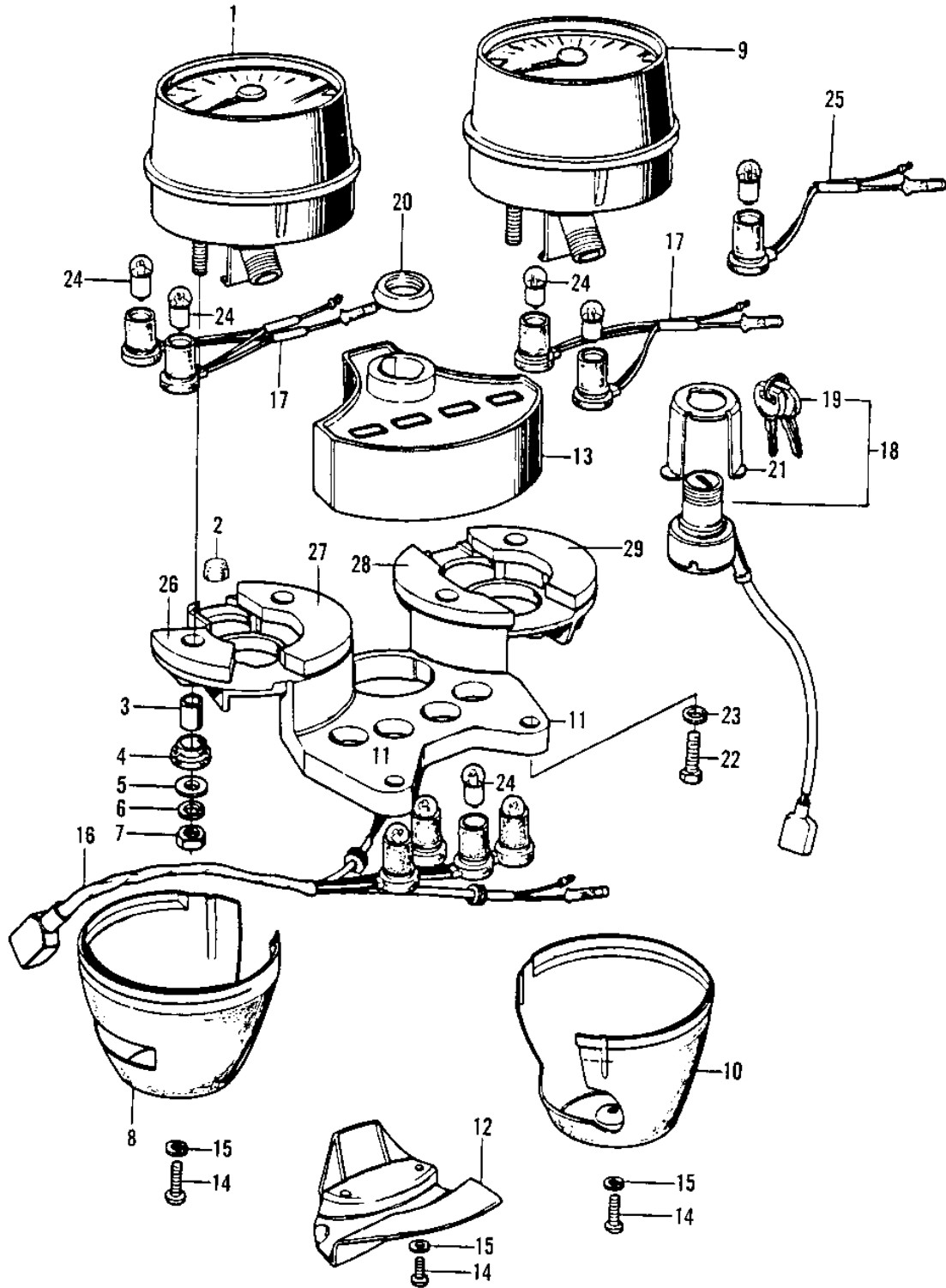


## 1973 PARTS DIAGRAM

METERS/IGNITION SWITCH



## 1973 PARTS LIST

### METERS/IGNITION SWITCH

ITEM NAME	PART NUMBER	QUANTITY
SPEEDOMETER ASSY,MPH (Ref # 1)	25005-121	2
SPEEDOMETER ASSY KPH (Canada) (Ref # 1)	25001-073	1
SHOCK DAMPER,SOCKET (Ref # 2)	25019-029	1
COLLAR,METER (Ref # 3)	92027-211	1
RUBBER,METER (Ref # 4)	92075-172	1
WASHER,PLAIN,5MM (Ref # 5)	92022-241	1
WASHER SPRING 5MM (Ref # 6)	461F0500	1
NUT 5MM (Ref # 7)	312B0500A	1
COVER,SPEEDOMETER (Ref # 8)	25012-010	1
TACHOMETER ASSY (Ref # 9)	25015-025	2
COVER,TACHOMETER (Ref # 10)	25012-011	1
BRACKET,SPEEDO (Ref # 11)	25008-044	1
COVER,WIRING HARNESS (Ref # 12)	25024-001	1
COVER,METER (Ref # 13)	25023-011	2
SCREW PAN HEAD 3X8 (Ref # 14)	220B0308A	1
WASHER SPRING 3MM (Ref # 15)	461F0300	1
SOCKET ASSY,INDICATOR (Ref # 16)	25011-026	1
UNAVAILABLE IN PRICE BOOK (Ref # 16)	25011-042	1
SOCKET ASSY,METER LAM (Ref # 17)	25011-027	1
SWITCH ASSY,IGNITION (Ref # 18)	27005-042	1
KEY SET,#751 (Ref # 19)	27008-046-51	1
KEY SET,#752 (Ref # 19)	27008-046-52	1
KEY SET,#753 (Ref # 19)	27008-046-53	1
KEY SET,#754 (Ref # 19)	27008-046-54	1
KEY SET,#755 (Ref # 19)	27008-046-55	1
KEY,BLANK (Ref # 19)	27008-1013	1
NUT,IGNITION SW LOCK (Ref # 20)	27007-004	1
HOLDER IGNITION SW (Ref # 21)	27019-003	1
BOLT HEX HEAD 8X32 (Ref # 22)	110B0832	1

## 1973 PARTS LIST

METERS/IGNITION SWITCH

ITEM NAME	PART NUMBER	QUANTITY
WASHER SPRING 8MM (Ref # 23)	461F0800	1
BULB 12V 3W (Ref # 24)	92069-018	1
SOCKET,TACHOMETER (Ref # 25)	25011-043	1
SHOCK DAMPER A,SPEED (Ref # 26)	25019-025	1
SHOCK DAMPER B,SPEED (Ref # 27)	25019-026	1
SHOCK DAMPER A,TACHO (Ref # 28)	25019-027	1
SHOCK DAMPER B,TACHO (Ref # 29)	25019-028	1