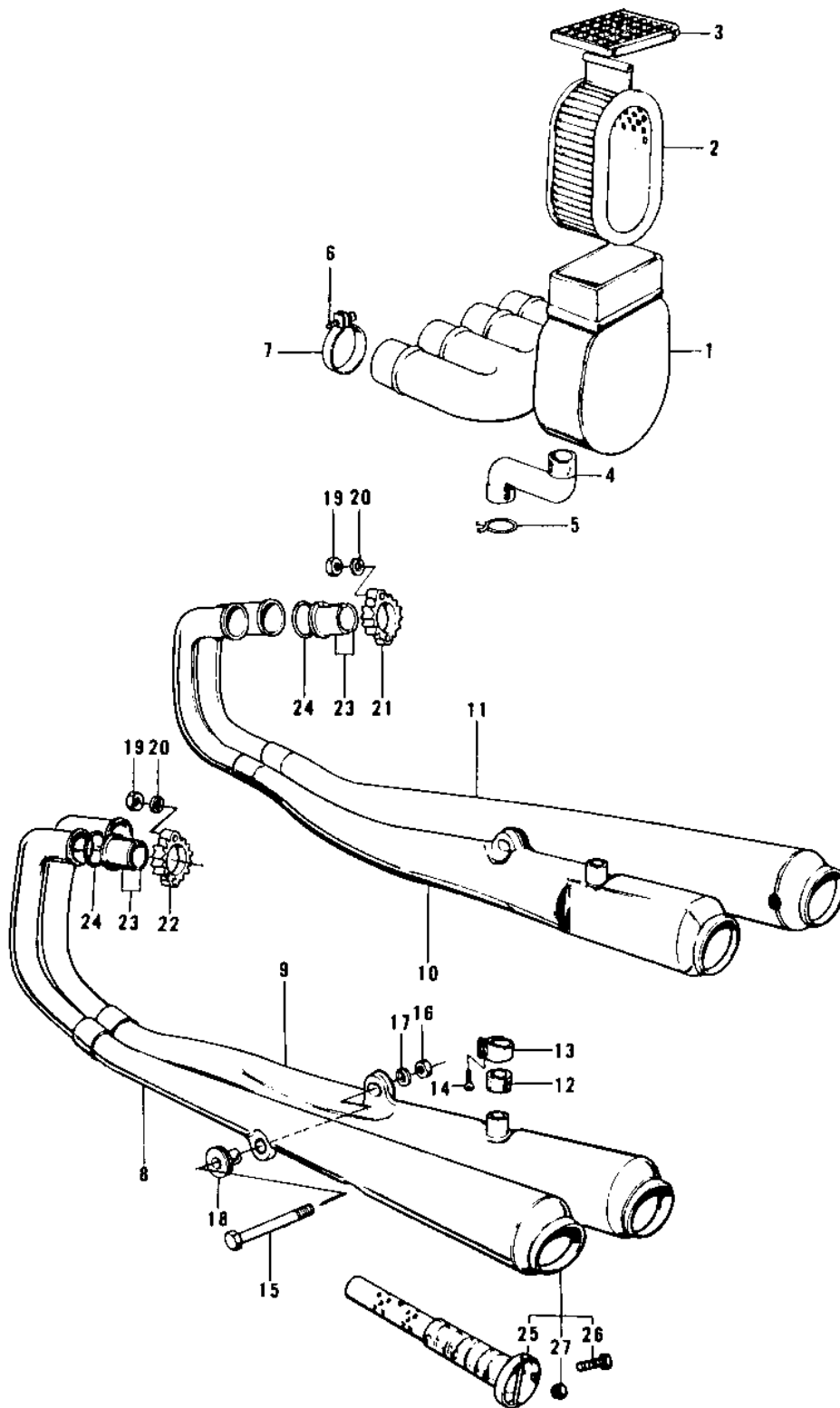


1973 PARTS DIAGRAM

AIR CLEANER/MUFFLERS



1973 PARTS LIST

AIR CLEANER/MUFFLERS

| ITEM NAME | PART NUMBER | QUANTITY |
|----------------------------------|-------------|----------|
| BODY,AIR CLEANER (Ref # 1) | 11011-022 | 1 |
| ELEMENT,AIR,CLNR (Ref # 2) | 11013-034 | 1 |
| CAP,AIR CLEANER (Ref # 3) | 11012-030 | 1 |
| PIPE,BREATHER (Ref # 4) | 92059-078 | 1 |
| CLAMP BREATHER PIPE (Ref # 5) | 92037-028 | 1 |
| SCREW-PAN-CROS (Ref # 6) | 220B0535 | 1 |
| CLAMP,AIR INLET (Ref # 7) | 92123-002 | 1 |
| MUFFLER ASSY,L.H UPP (Ref # 8) | 18001-227 | 1 |
| MUFFLER ASSY,L.H LOW (Ref # 9) | 18001-228 | 1 |
| MUFFLER ASSY,R.H LOW (Ref # 10) | 18001-183 | 1 |
| MUFFLER ASSY,R.H UPP (Ref # 11) | 18001-184 | 1 |
| PIPE,MUFFLER CONNECT (Ref # 12) | 92059-079 | 1 |
| PIPE,MUFFLER CONNECT (Ref # 12) | 92059-120 | 1 |
| CLAMP,MUFFLER CONNECT (Ref # 13) | 92037-103 | 1 |
| SCREW PAN HEAD 5X16 (Ref # 14) | 220B0516 | 1 |
| SCREW PAN HEAD 6X16 (Ref # 14) | 220B0616 | 1 |
| BOLT,HEX HEAD,10X104 (Ref # 15) | 92003-180 | 3 |
| NUT,10MM (Ref # 16) | 92015-1429 | 1 |
| NUT,LOCK,10MM (Ref # 16) | 92019-021 | 1 |
| WASHER PLAIN 10MM (Ref # 17) | 410B1000 | 1 |
| BUSHING,MUFFLER FITT (Ref # 18) | 92092-010 | 1 |
| NUT 6MM (Ref # 19) | 311B0600 | 2 |
| WASHER SPRING 6MM (Ref # 20) | 461F0600 | 1 |
| HOLDER,EXHAUST PIPE (Ref # 21) | 18069-045 | 1 |
| HOLDER,EXHAUST PIPE (Ref # 22) | 18069-046 | 1 |
| INSERT,EXHAUST PIPE (Ref # 23) | 92027-170 | 1 |
| GASKET,EXHAUST PIPE H (Ref # 24) | 11009-1906 | 1 |
| BAFFLE TUBE (Ref # 25) | 18033-058 | 1 |
| BOLT-UPSET,6X16 (Ref # 26) | 112G0616 | 1 |