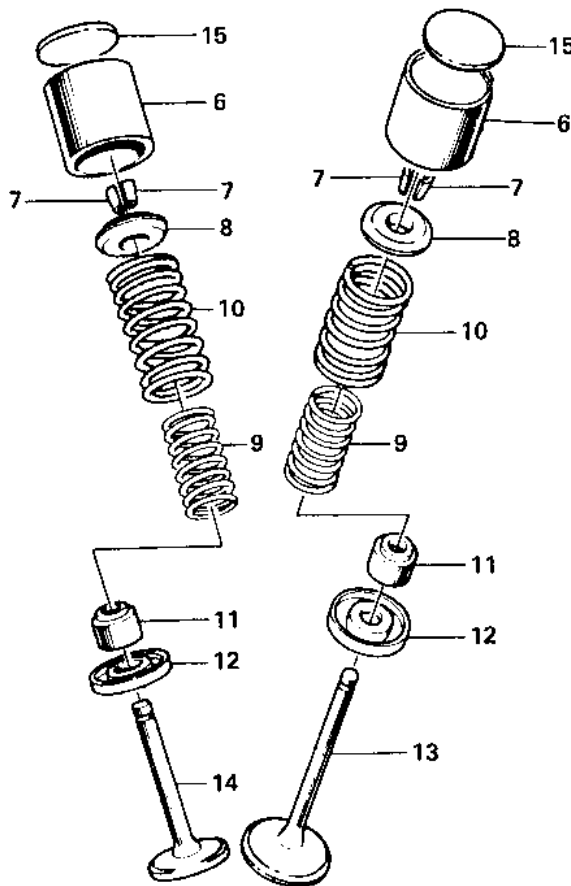
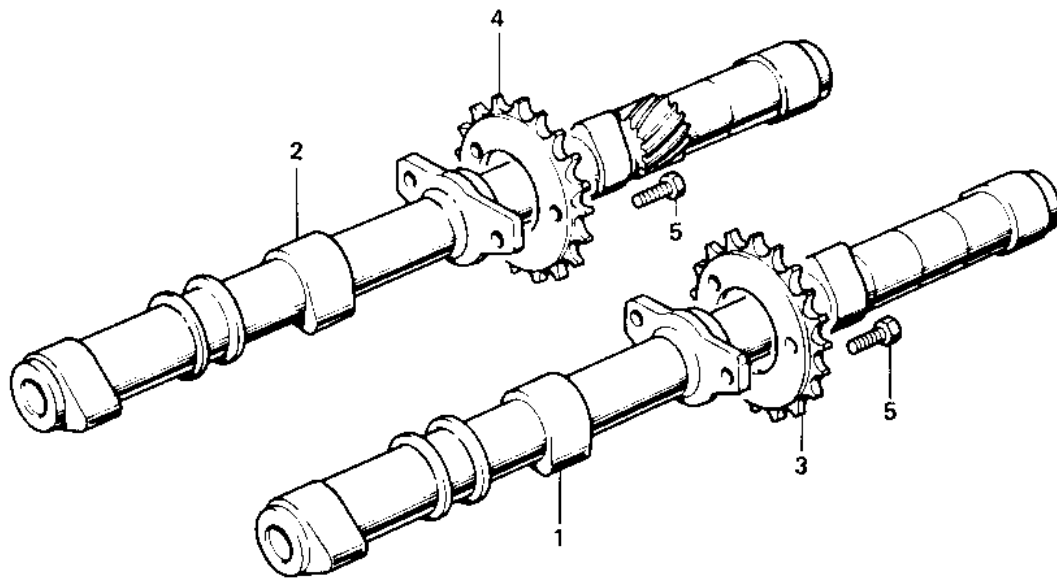


1973 PARTS DIAGRAM

CAMSHAFTS/VALVES



1973 PARTS LIST

CAMSHAFTS/VALVES

ITEM NAME	PART NUMBER	QUANTITY
CAMSHAFT,INLET (Ref # 1)	12044-014	2
CAMSHAFT,EXHAUST (Ref # 2)	12044-015	2
SPROCKET,CAM SHAFT IN (Ref # 3)	12046-001	1
SPROCKET,CAM SHAFT EX (Ref # 4)	12046-002	1
BOLT,SPROCKET FITTING (Ref # 5)	92003-208	1
TAPPET (Ref # 6)	12032-005	1
COLLAR,VALUE SPRING (Ref # 7)	12011-002	1
RETAINER,VALVE SPRING (Ref # 8)	12009-005	1
SPRING,INNER VALVE (Ref # 9)	12007-011	1
SPRING,OUTER VALVE (Ref # 10)	12007-012	1
OIL SEAL,RV37129.5 (Ref # 11)	92049-016	1
SEAT-SPRING,VALVE (Ref # 12)	16007-1024	1
VALVE,INLET (Ref # 13)	12004-012	1
VALVE,EXHAUST (Ref # 14)	12005-005	1
SHIM,TAPPET,2.00T (Ref # 15)	12037-001	1
SHIM,TAPPET,2.05T (Ref # 15)	12037-002	1
SHIM,TAPPET,2.10T (Ref # 15)	12037-003	1
SHIM,TAPPET,2.15T (Ref # 15)	12037-004	1
SHIM,TAPPET,2.20T (Ref # 15)	12037-005	1
SHIM,TAPPET,2.25T (Ref # 15)	12037-006	1
SHIM,TAPPET,2.30T (Ref # 15)	12037-007	1
SHIM,TAPPET,2.35T (Ref # 15)	12037-008	1
SHIM,TAPPET,2.40T (Ref # 15)	12037-009	1
SHIM,TAPPET,2.45T (Ref # 15)	12037-010	1
SHIM,TAPPET,2.50T (Ref # 15)	12037-011	1
SHIM,TAPPET,2.55T (Ref # 15)	12037-012	1
SHIM,TAPPET,2.60T (Ref # 15)	12037-013	1
SHIM,TAPPET,2.65T (Ref # 15)	12037-014	1
SHIM,TAPPET,2.70T (Ref # 15)	12037-015	1

1973 PARTS LIST

CAMSHAFTS/VALVES

ITEM NAME	PART NUMBER	QUANTITY
SHIM,TAPPET,2.75T (Ref # 15)	12037-016	1
SHIM,TAPPET,2.80T (Ref # 15)	12037-017	1
SHIM,TAPPET,2.85T (Ref # 15)	12037-018	1
SHIM,TAPPET,2.90T (Ref # 15)	12037-019	1
SHIM,TAPPET,2.95T (Ref # 15)	12037-020	1
SHIM,TAPPET,3.00T (Ref # 15)	12037-021	1
SHIM,TAPPET,3.05T (Ref # 15)	12037-022	1
SHIM,TAPPET,3.10T (Ref # 15)	12037-023	1
SHIM,TAPPET,3.15T (Ref # 15)	12037-024	1
SHIM,TAPPET 3.20T (Ref # 15)	12037-025	1