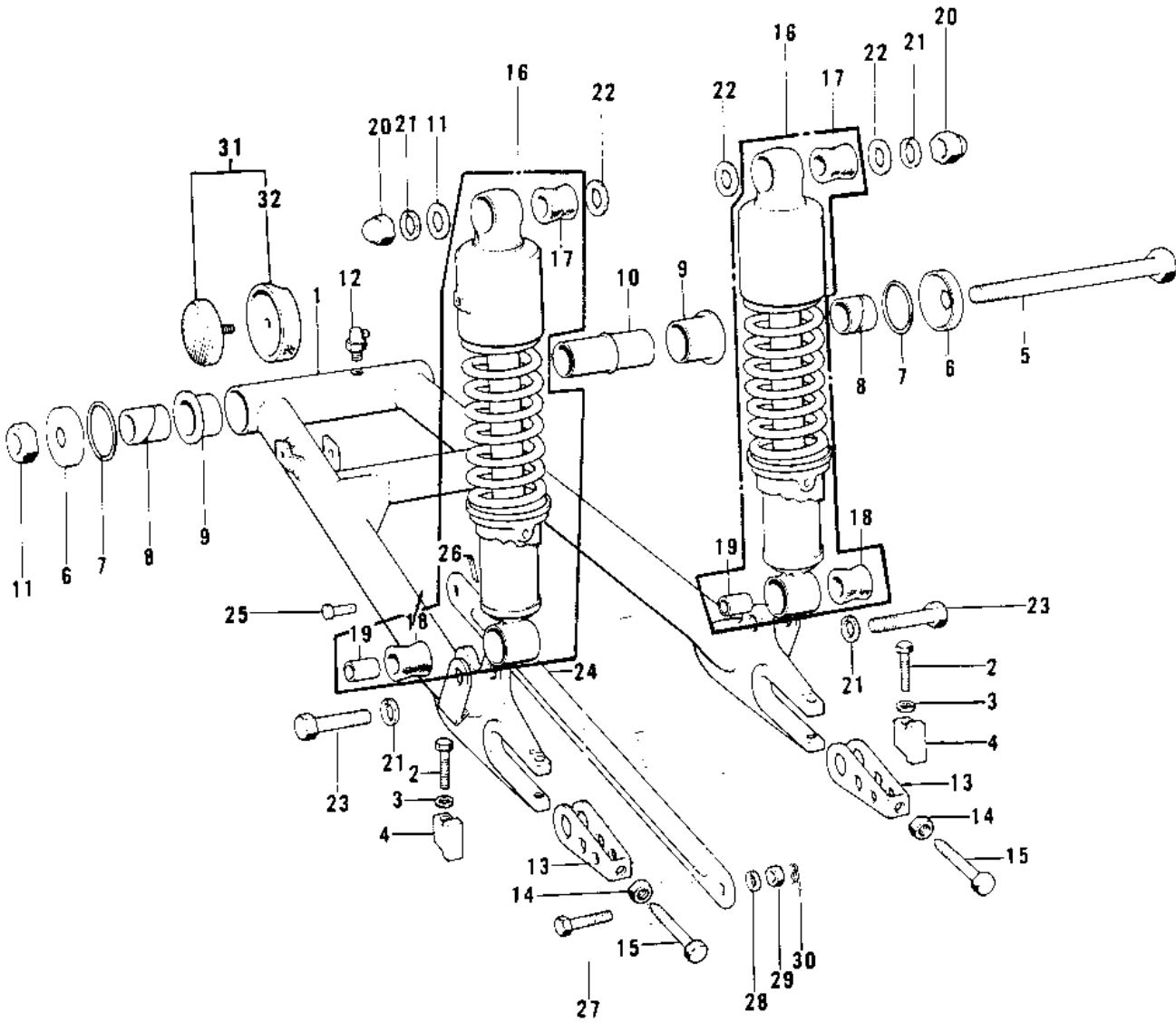


1972 PARTS DIAGRAM

SWING ARM/SHOCK ABSORBERS (H2-B/C)



1972 PARTS LIST

SWING ARM/SHOCK ABSORBERS (H2-B/C)

ITEM NAME	PART NUMBER	QUANTITY
SWINGING ARM (Ref # 1)	33001-059	1
BOLT (Ref # 2)	92001-1578	1
WASHER SPRING 8MM (Ref # 3)	461F0800	1
STOPPER,CHAIN ADJUST (Ref # 4)	33044-001	1
SHAFT-SWING ARM PIVOT (Ref # 5)	33032-038	1
CAP,SWING ARM (Ref # 6)	33035-007	1
"O" RING,30MM (Ref # 7)	671B2530	1
SLEEVE SWING ARM (Ref # 8)	33034-009	1
BUSHING-SWING ARM (Ref # 9)	33033-009	1
SLEEVE SWING ARM LONG (Ref # 10)	33034-008	1
NUT-SELF LOCKING (Ref # 11)	92019-012	1
GREASE NIPPLE (Ref # 12)	92005-002	1
ADJUSTER,CHAIN D=10MM (Ref # 13)	33040-063	1
NUT 10MM (Ref # 14)	315B1000	2
BOLT-CHN ADJUST 10MM (Ref # 15)	92001-143	1
SHOCK ABSBR RR (Ref # 16)	45014-096	1
BUSHING,SHCK ABS RUB (Ref # 17)	45017-015	1
BUSHING, SHCK ABS RUB (Ref # 18)	45017-012	1
BUSHING,SHOCK ABSORB (Ref # 19)	45016-008	1
NUT SHOCK ABSORBER (Ref # 20)	92020-003	1
WASHER SPRING 10MM (Ref # 21)	461F1000	2
WASHER,PLAIN,10MM (Ref # 22)	92022-246	1
BOLT HEX HEAD 10X35 (Ref # 23)	113N1035	1
TORQUE LINK-REAR BRK (Ref # 24)	43007-033	1
PIN REAR TORQUE LINK (Ref # 25)	43009-001	1
PIN COTTER 3.0X25 (Ref # 26)	550D3025	1
BOLT-HEX HEAD,10X40 (Ref # 27)	92003-097	1
PIN,SNAP (Ref # 30)	554A0800	1
REFLECTOR,REFLEX,REAR (Ref # 31)	28001-030	1

1972 PARTS LIST

SWING ARM/SHOCK ABSORBERS (H2-B/C)

ITEM NAME	PART NUMBER	QUANTITY
DAMPER RUBBER-REFLEX (Ref # 32)	28016-002	1