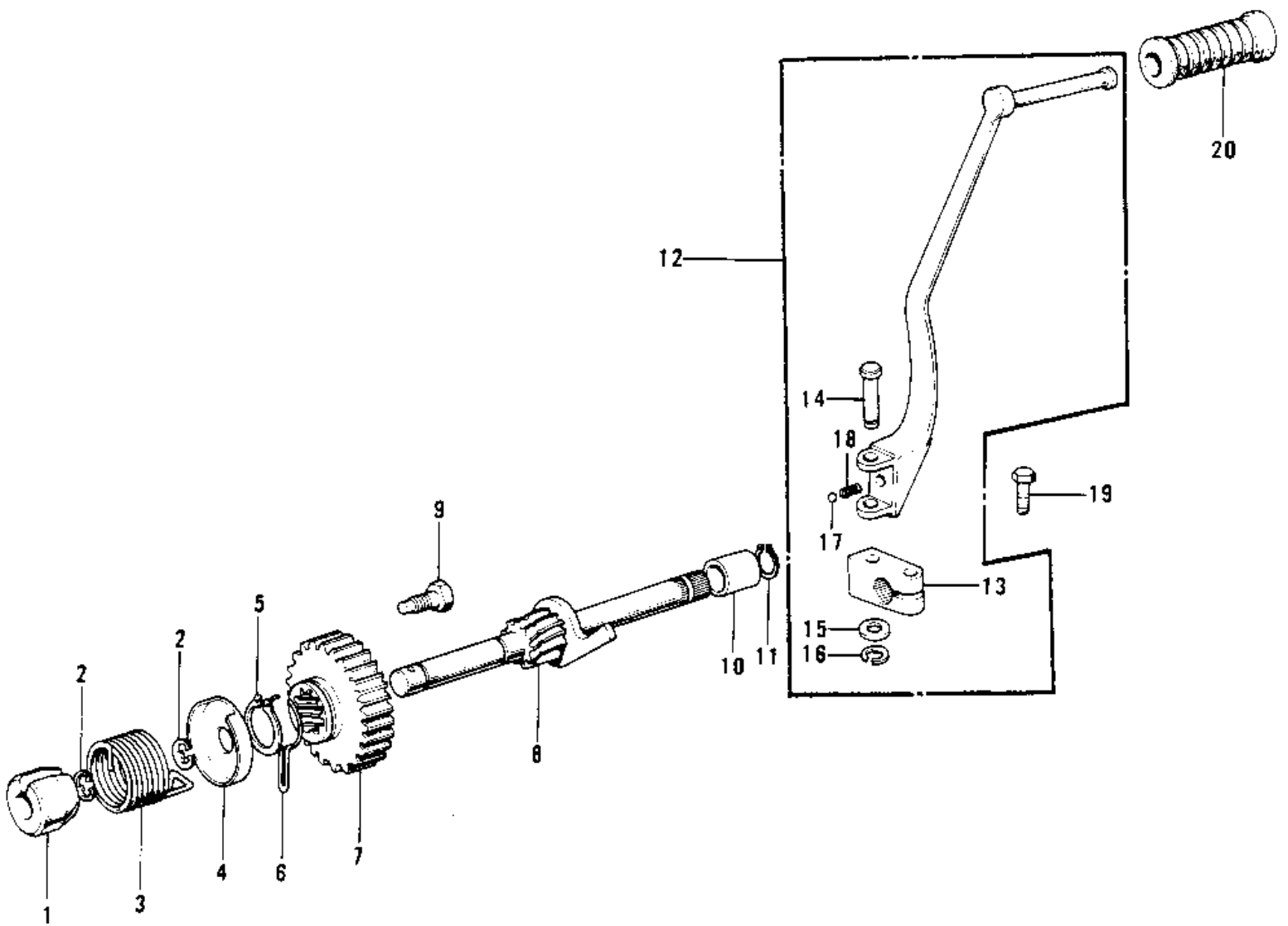


1972 PARTS DIAGRAM

KICKSTARTER MECHANISM



1972 PARTS LIST

KICKSTARTER MECHANISM

ITEM NAME	PART NUMBER	QUANTITY
GUIDE KICK SPRING (Ref # 1)	13070-001	1
CIRCLIP 10MM (Ref # 2)	482J0100	1
SPRING KICKSTARTER (Ref # 3)	92081-021	1
PLATE KICK GEAR HLDER (Ref # 4)	13071-003	1
CIRCLIP 26MM (Ref # 5)	480J2600	1
HOLDER KICK GEAR (Ref # 6)	13077-002	1
GEAR-KICKSTARTER (Ref # 7)	13068-023	1
SHAFT-KICKSTARTER (Ref # 8)	13066-028	1
SHAFT,KICKSTARTER (Ref # 8)	13245-007	1
STOPPER-KICKSTARTER (Ref # 9)	13072-013	1
BUSHING (Ref # 10)	92028-111	1
CIRCLIP (Ref # 11)	92033-015	1
PEDAL,KICKSTARTER (Ref # 12)	13064-006	1
BOSS-KICK PEDAL (Ref # 13)	13061-010	1
PIN-KICK PEDAL (Ref # 14)	92043-081	1
WASHER PLAIN 8MM (Ref # 15)	410B0800	1
CIRCLIP 5MM (Ref # 16)	482K5000	1
BALL STEEL 1/4' (Ref # 17)	600A0800	1
SPRING KICK PEDAL (Ref # 18)	92081-020	1
BOLT-KICK PEDAL (Ref # 19)	92001-110	1
RUBBER KICK PEDAL (Ref # 20)	13063-004	1