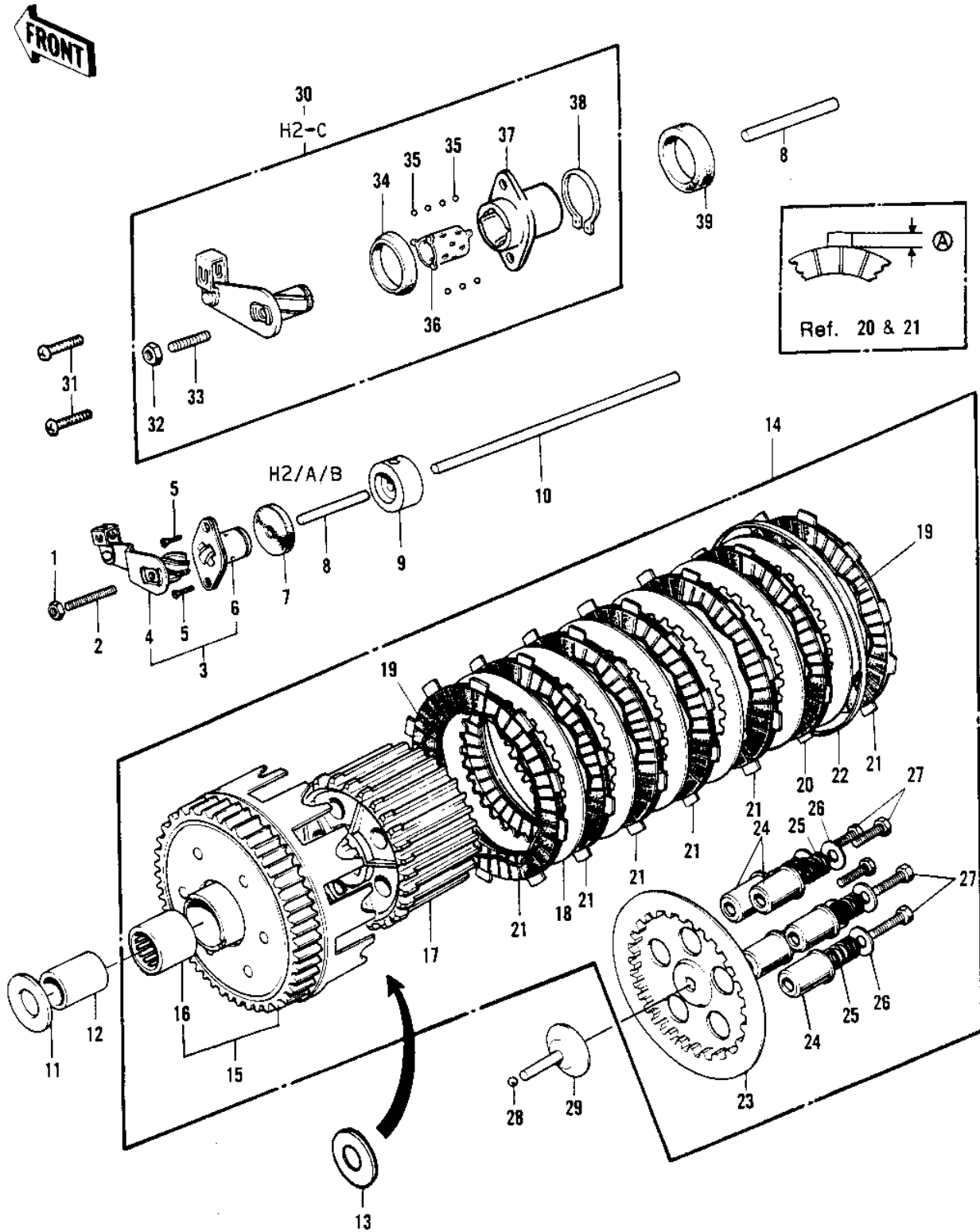


1972 PARTS DIAGRAM

CLUTCH



1972 PARTS LIST

CLUTCH

ITEM NAME	PART NUMBER	QUANTITY
NUT 6MM (Ref # 1)	311B0600	2
SCREW SLOTTED (Ref # 2)	291Z0625	2
RELEASE ASSY,CLUTCH (Ref # 3)	13231-010	1
INNER,CLUTCH RELEASE (Ref # 4)	13102-017	1
SCREW CNTSNK HD 6X16 (Ref # 5)	221B0616	1
OUTER,CLUTCH RELEASE (Ref # 6)	13118-008	1
OIL SEAL SC7317 (Ref # 7)	92050-025	1
ROD CLUTCH PUSH SHORT (Ref # 8)	13116-010	1
BUSH CLUTCH PUSH ROD (Ref # 9)	92028-070	1
ROD CLUTCH PUSH LONG (Ref # 10)	13116-009	1
WASHER-PLAIN (Ref # 11)	92022-186	1
BUSH CLUTCH (Ref # 12)	92028-045	1
WASHER TH 25.5X47X2.5 (Ref # 13)	92026-022	1
CLUTCH-ASSY (Ref # 14)	13081-073	3
HOUSING-CLUTCH (Ref # 15)	13095-029	1
BEARING NEEDLE (Ref # 16)	92046-004	1
PLATE-CLUTCH (Ref # 18)	13089-1073	1
RING-CLUTCH STEEL (Ref # 19)	13229-003	1
PLATE-CLUTCH FRICTION (Ref # 20)	13088-028	1
PLATE,CLUTCH FRICTION (Ref # 20)	13088-1063	2
PLATE-CLUTCH FRICTION (Ref # 21)	13088-021	1
PLATE CLUTCH FRICTION (Ref # 21)	13088-015	1
PLATE,CLUTCH FRICTION (Ref # 21)	13088-1008	1
HOLDER-CLUTCH HOUSING (Ref # 22)	13238-001	1
PLATE-CLUTCH SPRING (Ref # 23)	13187-005	1
GUIDE CLUTCH SPRING (Ref # 24)	13092-005	1
SPRING-CLUTCH (Ref # 25)	92081-100	1
HOLDER CL SPG6.5X20X2 (Ref # 26)	13091-009	1
BOLT-UPSET (Ref # 27)	112G0618	1

1972 PARTS LIST

CLUTCH

ITEM NAME	PART NUMBER	QUANTITY
BALL STEEL 5/16' (Ref # 28)	600A1000	1
PUSHER-CLTCH SPRG PLT (Ref # 29)	13116-011	1
RELEASE ASSY,CLUTCH (Ref # 30)	13231-1001	1
SCREW PAN HEAD 6X16 (Ref # 31)	220B0616	1
OIL SEAL (Ref # 34)	92056-007	1
BALL,STEEL,1/8" (Ref # 35)	600A0400	1
RETAINER (Ref # 36)	13197-006	1
OUTER,CLUTCH RELEASE (Ref # 37)	13118-015	1
CIRCLIP 15MM (Ref # 38)	480J1500	1
OIL SEAL (Ref # 39)	92050-070	1