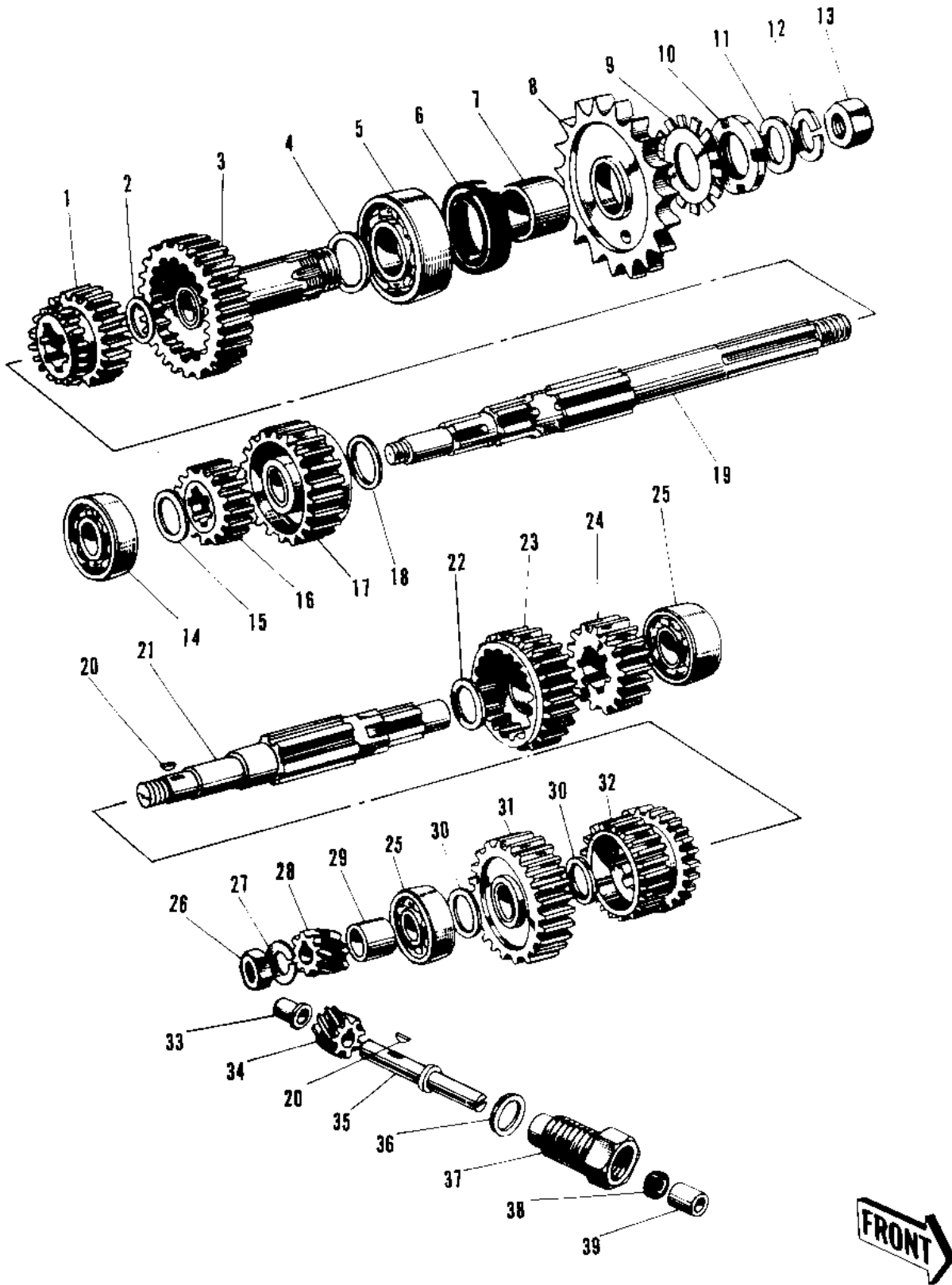


1966 W1 PARTS DIAGRAM

TRANSMISSION (-E/NO. W1M 4000)



1966 W1 PARTS LIST

TRANSMISSION (-E/NO. W1M 4000)

| ITEM NAME | PART NUMBER | QUANTITY |
|--------------------------------------|-------------|----------|
| 2ND GEAR DRIVE SHAFT (Ref # 1) | 13130-011 | 1 |
| WASHER TOP GEAR THRST (Ref # 2) | 92026-041 | 1 |
| TOP GEAR DRIVE SHAFT (Ref # 3) | 13136-016 | 1 |
| SPACER TOP GEAR (Ref # 4) | 92026-039 | 1 |
| BEARING BALL #6206N (Ref # 5) | 92045-006 | 1 |
| OIL SEAL SC405465 (Ref # 6) | 92050-018 | 1 |
| SPACER ENG SPROCKET (Ref # 7) | 92027-042 | 1 |
| ENGINE SPROCKET 19T (Ref # 8) | 13144-021 | 1 |
| WASHER LOCK 30MM (Ref # 9) | 92032-001 | 1 |
| NUT 30MM (Ref # 10) | 92015-011 | 1 |
| WASHER MAIN SHT THRST (Ref # 11) | 92026-040 | 1 |
| WASHER SPRING 16MM (Ref # 12) | 461E1600 | 1 |
| NUT 16MM (Ref # 13) | 315B1600 | 1 |
| NUT 16MM (Ref # 13) | 92015-029 | 1 |
| BEARING BALL #6204 (Ref # 14) | 601A6204 | 1 |
| WASHER MAIN SHT THRST (Ref # 15) | 92026-036 | 1 |
| LOW GEAR DRIVE SHAFT (Ref # 16) | 13129-019 | 1 |
| UNAVAILABLE IN PRICE BOOK (Ref # 17) | 13132-008 | 1 |
| SPACER 3RD GEAR (Ref # 18) | 92026-038 | 1 |
| SHAFT DRIVE (Ref # 19) | 13127-014 | 1 |
| WOODRUFF KEY SPD GEAR (Ref # 20) | 92038-006 | 1 |
| UNAVAILABLE IN PRICE BOOK (Ref # 21) | 13128-015 | 1 |
| SPACER 2ND GEAR (Ref # 22) | 92027-045 | 1 |
| 2ND GEAR OUTPUT SHAFT (Ref # 23) | 13131-013 | 1 |
| TOP GEAR OUTPUT SHAFT (Ref # 24) | 13137-006 | 1 |
| BEARING BALL #6302 (Ref # 25) | 601B6302 | 1 |
| NUT 14MM (Ref # 26) | 315B1400 | 1 |
| WASHER SPRING 14MM (Ref # 27) | 461F1400 | 1 |
| UNAVAILABLE IN PRICE BOOK (Ref # 28) | 13224-002 | 1 |

1966 W1 PARTS LIST

TRANSMISSION (-E/NO. W1M 4000)

| ITEM NAME | PART NUMBER | QUANTITY |
|----------------------------------|-------------|----------|
| SPACER SPEED PINION (Ref # 29) | 92027-043 | 1 |
| WASHER MAIN SHT THRST (Ref # 30) | 92026-017 | 1 |
| LOW GEAR OUTPUT SHAFT (Ref # 31) | 13129-021 | 1 |
| 3RD GEAR OUTPUT SHAFT (Ref # 32) | 13133-009 | 1 |
| BUSH SPEED GEAR SHAFT (Ref # 33) | 92028-084 | 1 |
| GEAR SPEEDOMETER (Ref # 34) | 13225-001 | 1 |
| SHAFT SPEED GEAR (Ref # 35) | 13226-001 | 1 |
| GASKET SPD GR HOUSING (Ref # 36) | 92065-032 | 1 |
| HOUSING SPEED GEAR (Ref # 37) | 13227-001 | 1 |
| OIL SEAL VB8178 (Ref # 38) | 92053-005 | 1 |
| SPACER SPEED GEAR SHT (Ref # 39) | 92027-044 | 1 |