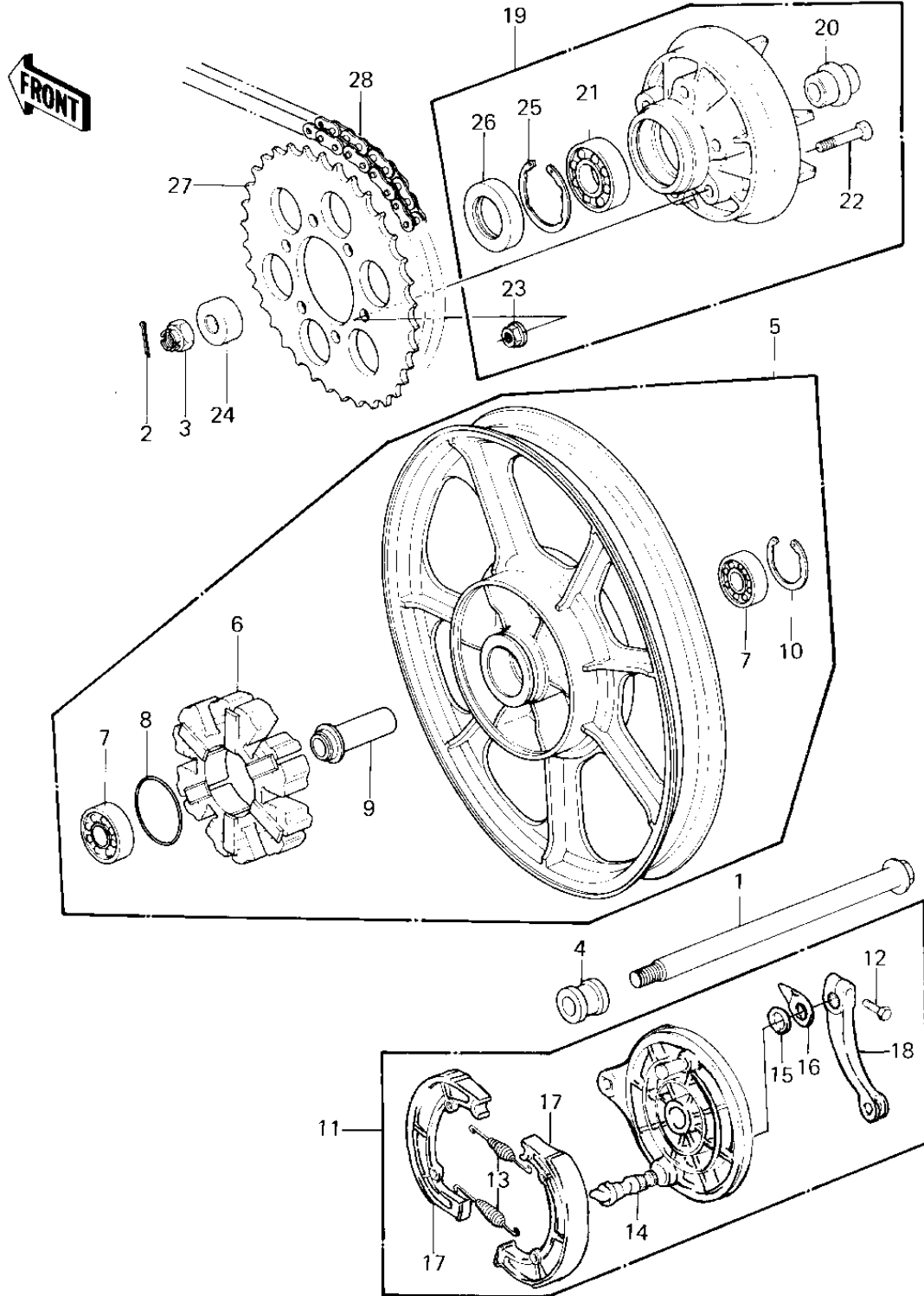


1980 650 LTD PARTS DIAGRAM

REAR WHEEL/HUB/BRAKE/CHAIN



1980 650 LTD PARTS LIST

REAR WHEEL/HUB/BRAKE/CHAIN

ITEM NAME	PART NUMBER	QUANTITY
AXLE,RR (Ref # 1)	41068-1086	1
PIN-COTTER,4.0X35 (Ref # 2)	550D4035	1
NUT CASTLE,16MM (Ref # 3)	92015-055	1
COLLAR,AXLE,L=28M/M (Ref # 4)	92027-1226	1
SOLID WHEEL ASSY,REAR (Ref # 5)	41073-1065	1
SHOCK DAMPER (Ref # 6)	42014-032	1
BRG,BALL,#6303ZZC3 (Ref # 7)	601B6303ZZ	1
"0" RING,60MM (Ref # 8)	671B2560	1
COLLAR,REAR HUB BRG. (Ref # 9)	92027-1047	1
CIRCLIP,47M/M (Ref # 10)	92033-1042	1
PANEL-ASY,RR BRK (Ref # 11)	41035-1056	2
PANEL-ASY,BRK BLACK (Ref # 11)	41035-1055	2
BOLT HEX HEAD 8X28 (Ref # 12)	114G0828	1
SPRING,BRAKE SHOE (Ref # 13)	41049-012	2
CAM SHAFT,BRAKE (Ref # 14)	41050-017	1
DUST SHIELD-BRAKE CAM (Ref # 15)	41051-003	1
INDICATOR,BRAKE SHOE (Ref # 16)	41085-004	1
SHOE,BRAKE (Ref # 17)	42019-012	1
LEVER REAR BRAKE CAM (Ref # 18)	42029-039	1
COUPLING ASSY,RR HUB (Ref # 19)	42033-1018	1
SLEEVE,RR HUB COUPLNG (Ref # 20)	42036-1030	1
BALL BEARING,#6206 (Ref # 21)	601B6206	1
BOLT (Ref # 22)	92001-161	1
NUT,10MM (Ref # 23)	92015-1415	1
COLLAR,AXLE,L=20.5M/M (Ref # 24)	92027-1227	1
CIRCLIP,62M/M (Ref # 25)	92033-1044	1
OIL SEAL (Ref # 26)	92050-027	1
REAR SPROCKET,4/T (Ref # 27)	42041-1024	1
CHAIN-EX50MV-0X102L (Ref # 28)	92057-1232	1