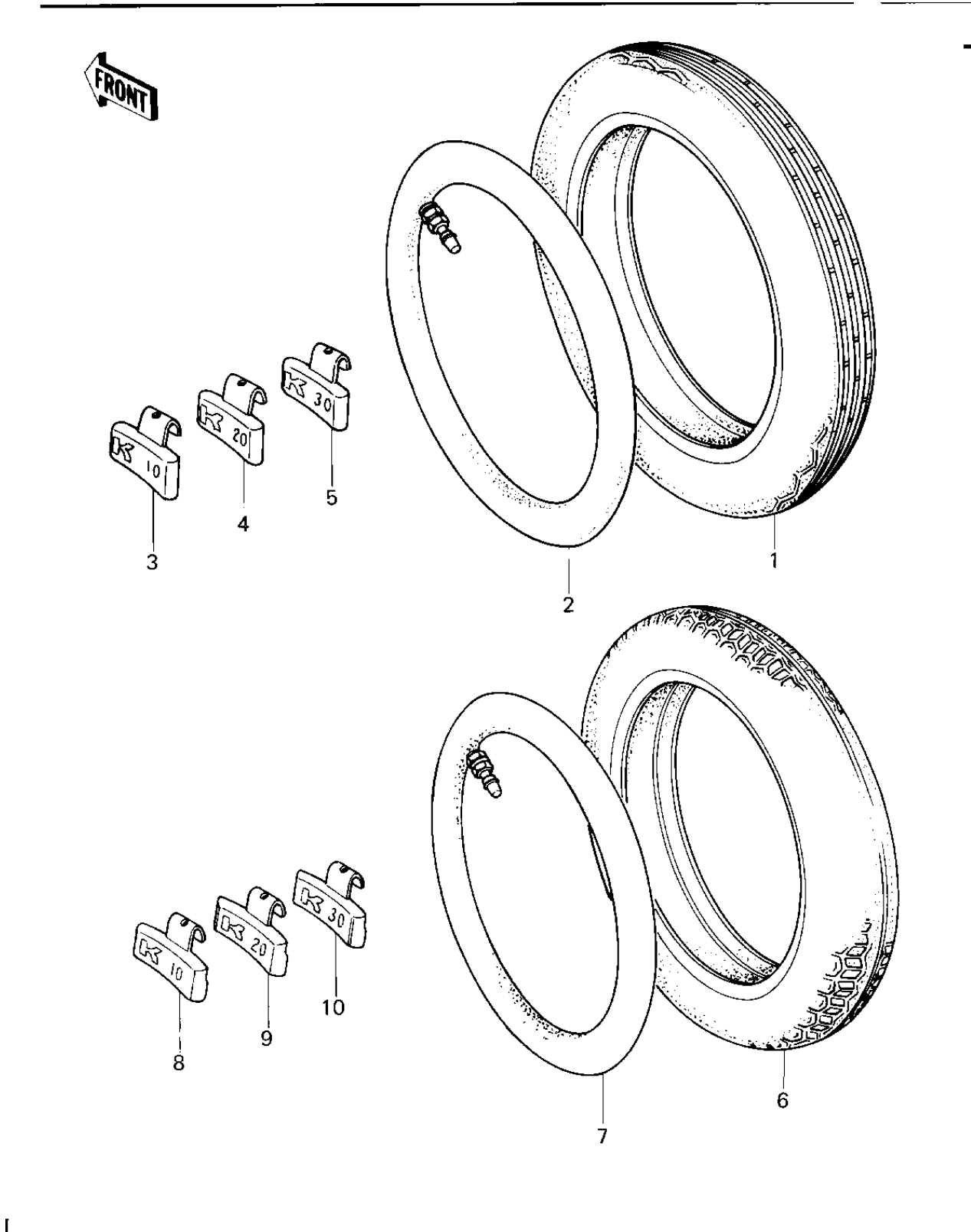


## 1980 650 LTD PARTS DIAGRAM

TIRES



## 1980 650 LTD PARTS LIST

### TIRES

ITEM NAME	PART NUMBER	QUANTITY
TIRE 350H-19 F6 4PR (Ref # 1)	41002-1019	1
TUBE, TIRE 3.25/3.50-19 (Ref # 2)	41022-030	1
BALANCER-WHEEL,10G (Ref # 3)	41075-1011	2
BALANCER-WHEEL,20G (Ref # 4)	41075-1012	2
BALANCER-WHEEL,30G (Ref # 5)	41075-1013	2
TIRE 510-16 K87 R (Ref # 6)	41002-1020	1
TUBE 510-16 (Ref # 7)	41022-1003	1