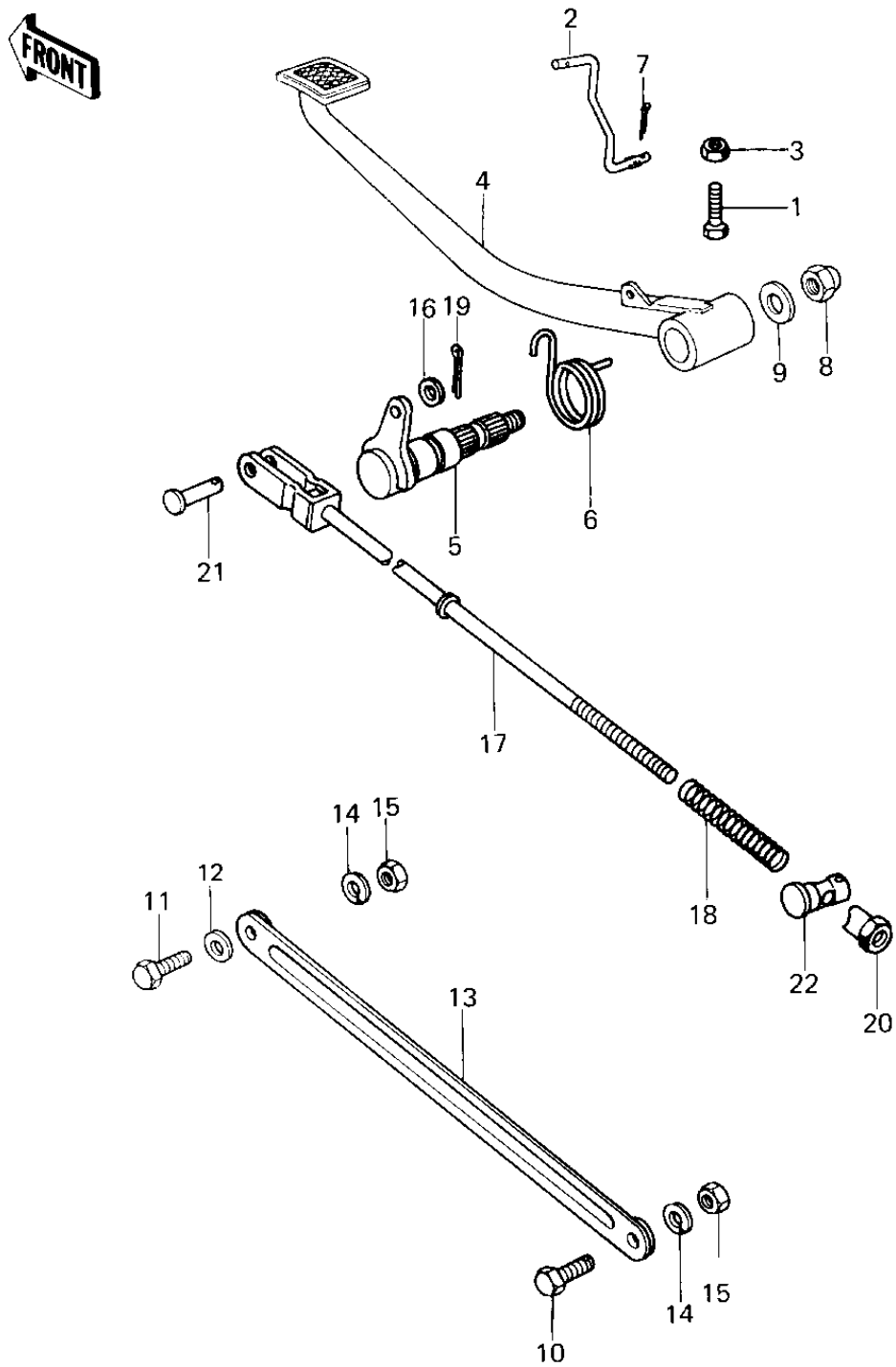


1980 650 LTD PARTS DIAGRAM

BRAKE PEDAL/TORQUE LINK



1980 650 LTD PARTS LIST

BRAKE PEDAL/TORQUE LINK

ITEM NAME	PART NUMBER	QUANTITY
BOLT-UPSET,6X20 (Ref # 1)	112G0620	1
HOOK,BRAKE SWITCH (Ref # 2)	27012-1003	1
NUT 6MM (Ref # 3)	311B0600	1
PEDAL BRAKE (Ref # 4)	43001-1009	1
SHAFT,BRAKE PEDAL (Ref # 5)	43004-012	1
SPRING,BRAKE PEDAL (Ref # 6)	43005-022	1
PIN COTTER 1.6X10 (Ref # 7)	550D1610	1
NUT,CAP AND LOCK,8MM (Ref # 8)	92019-013	1
WASHER,8.5X20X1.6 (Ref # 9)	92022-1561	1
BOLT,HEX HEAD 10X35 (Ref # 10)	92001-1252	1
BOLT,HEX HEAD,10X25 (Ref # 11)	113G1025	1
WASHER PLAIN 10MM (Ref # 12)	410B1000	1
TORQUE LINK REAR BRK (Ref # 13)	43007-016	1
WASHER SPRING 10MM (Ref # 14)	461F1000	1
NUT,LOCK,10MM (Ref # 15)	92019-021	1
WASHER PLAIN 6MM (Ref # 16)	410B0600	1
ROD-BRAKE (Ref # 17)	43011-009	1
SPRING,BRAKE ROD (Ref # 18)	43012-001	1
PIN COTTER 2.0X15 (Ref # 19)	550D2015	1
NUT-BRAKE ROD ADJUST (Ref # 20)	92015-042	1
PIN-BRAKE ROD FITTING (Ref # 21)	92043-064	1
PIN-BRAKE ROD (Ref # 22)	92043-065	1