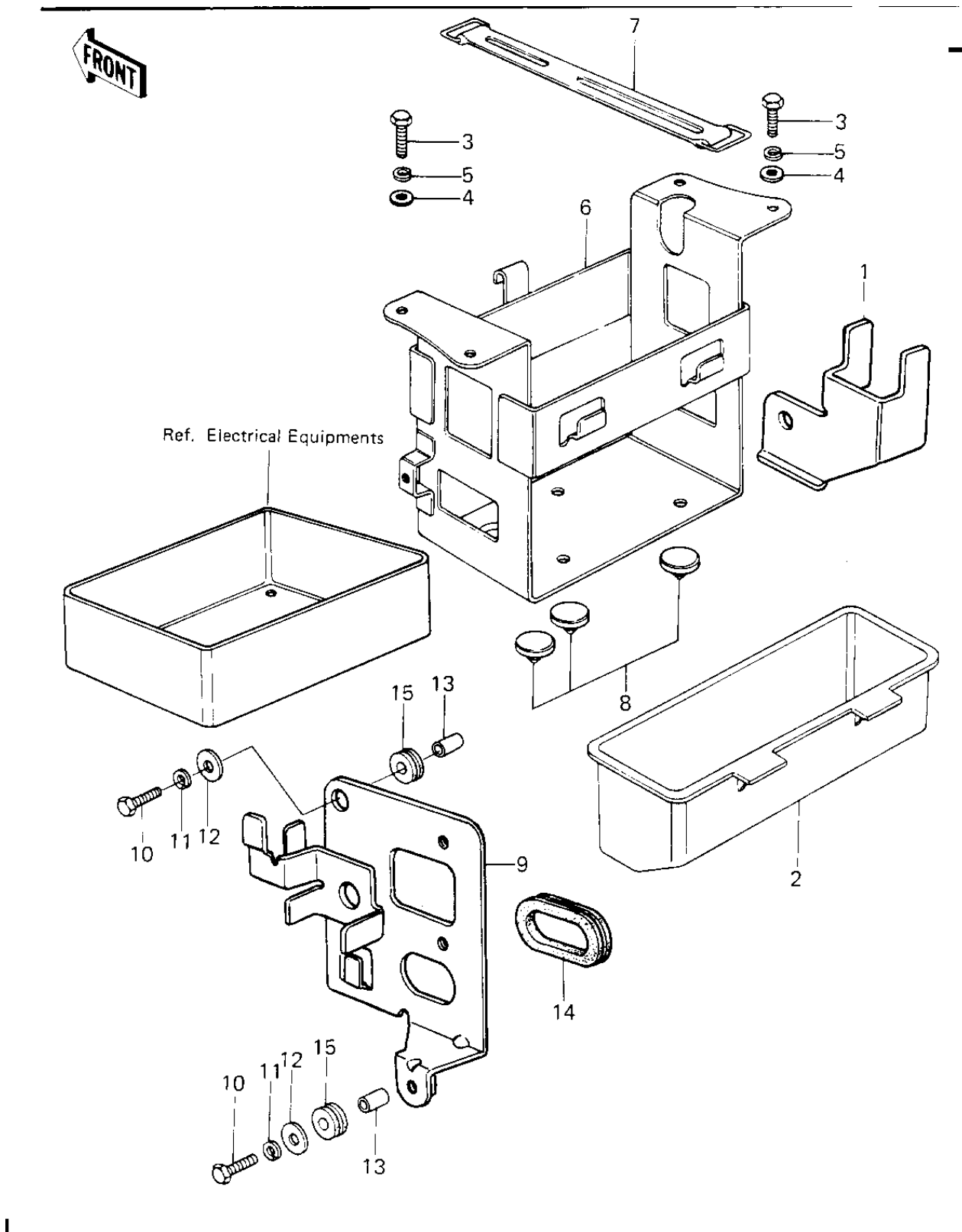


1980 650 LTD PARTS DIAGRAM

BATTERY CASE/TOOL CASE



1980 650 LTD PARTS LIST

BATTERY CASE/TOOL CASE

| ITEM NAME | PART NUMBER | QUANTITY |
|--------------------------------|-------------|----------|
| BRACKET,SWITCH (Ref # 1) | 11034-1158 | 1 |
| CASE,TOOL (Ref # 2) | 32098-028 | 1 |
| BOLT-UPSET,6X12 (Ref # 3) | 112G0612 | 1 |
| WASHER PLAIN 6MM (Ref # 4) | 410B0600 | 1 |
| WASHER SPRING 6MM (Ref # 5) | 461F0600 | 2 |
| CASE,BATTERY (Ref # 6) | 32097-1005 | 1 |
| BAND,OIL TANK (Ref # 7) | 92072-054 | 1 |
| DAMPER RUBBER (Ref # 8) | 92075-078 | 1 |
| BRACKET,ELECTRO BASE (Ref # 9) | 11036-1089 | 1 |
| BOLT-UPSET (Ref # 10) | 112G0625 | 1 |
| WASHER,PLAIN,7MM (Ref # 12) | 92022-228 | 1 |
| COLLAR-CLAMP (Ref # 13) | 92027-291 | 1 |
| GROMMET,ELECTO BASE (Ref # 14) | 92071-1007 | 1 |
| DAMPER (Ref # 15) | 92075-317 | 1 |