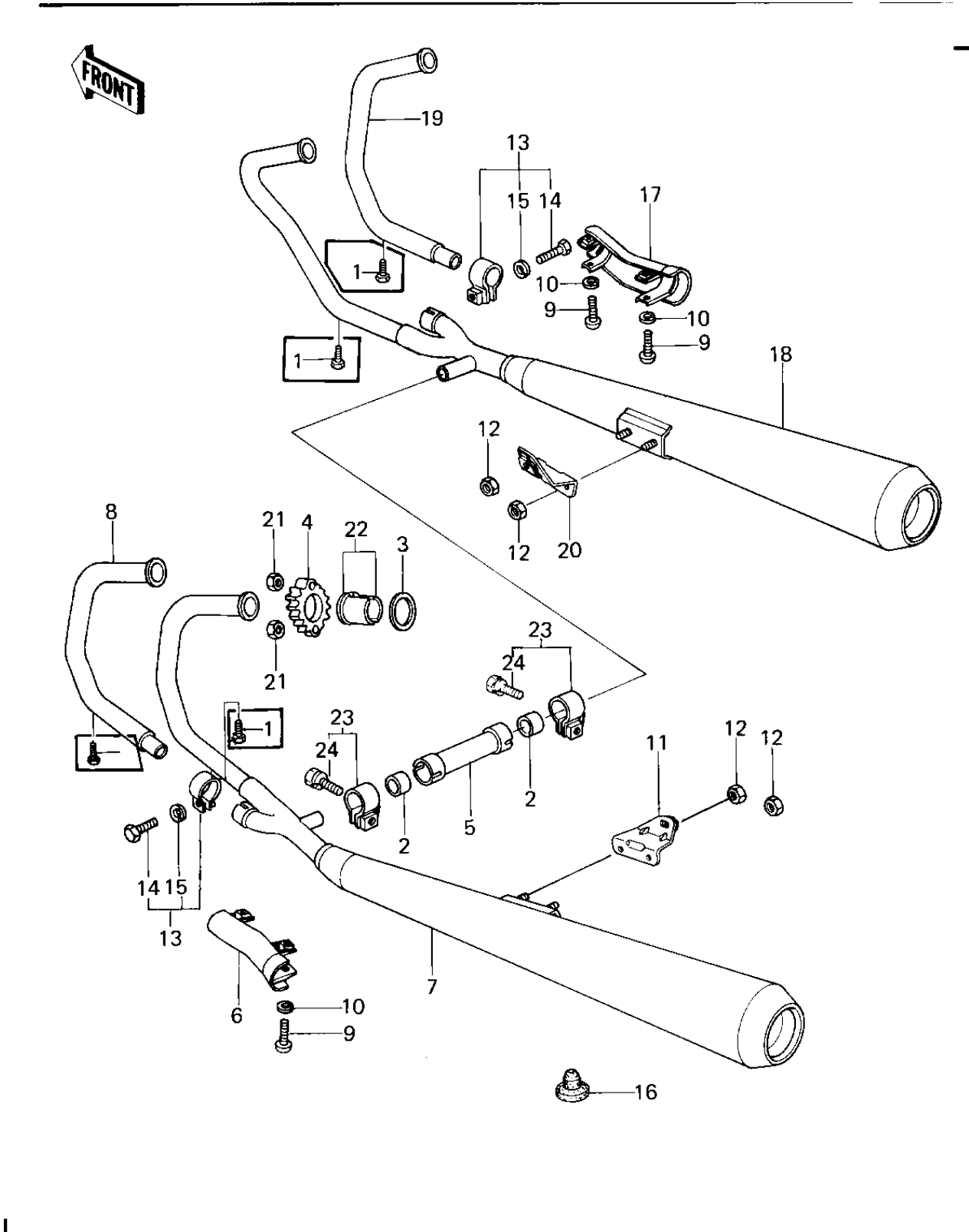


## 1980 650 LTD PARTS DIAGRAM

MUFFLERS



## 1980 650 LTD PARTS LIST

### MUFFLERS

ITEM NAME	PART NUMBER	QUANTITY
BOLT (6X10) (Ref # 1)	110R0610	1
GASKET,MUFFLER CONNEC (Ref # 2)	11060-1051	1
GASKET,EXHAUST PIPE H (Ref # 3)	11009-1866	1
HOLDER,EXHAUST PIPE (Ref # 4)	18069-1006	1
PIPE,MUFFLER CONNECT1 (Ref # 5)	32032-1671	1
COVER,MUFFLER,L.H. (Ref # 6)	14025-1029	1
MUFFLER ASSY,L.H (Ref # 7)	18001-1035	1
PIPE,EXHAUST,#2 (Ref # 8)	18049-1036	1
SCREW PAN HEAD 6X40 (Ref # 9)	220B0640	1
WASHER SPRING 6MM (Ref # 10)	461F0600	1
BRACKET,MUFFLER,L.H. (Ref # 11)	32069-1041	1
NUT,LOCK,8MM (Ref # 12)	92017-013	1
CLAMP,EXHAUST PIPE (Ref # 13)	92037-1224	1
BOLT-SMALL-UPSET,8X30 (Ref # 14)	115G0830	1
WASHER SPRING 8MM (Ref # 15)	461F0800	1
DAMPER RUBBER,MAIN ST (Ref # 16)	92075-1002	1
COVER,MUFFLER,R.H. (Ref # 17)	14025-1030	1
MUFFLER,R.H. (Ref # 18)	18001-1025	1
PIPE,EXHAUST,#4 (Ref # 19)	18049-1038	1
BRACKET,MUFFLER,R.H. (Ref # 20)	32069-1042	1
NUT,LOCK 6MM (Ref # 21)	92017-014	1
COLLAR,EXHAUST PIPE (Ref # 22)	92027-264	1
CLAMP,PIPE,35MM (Ref # 23)	92037-1223	1
BOLT,8X30 (Ref # 24)	92001-1379	1