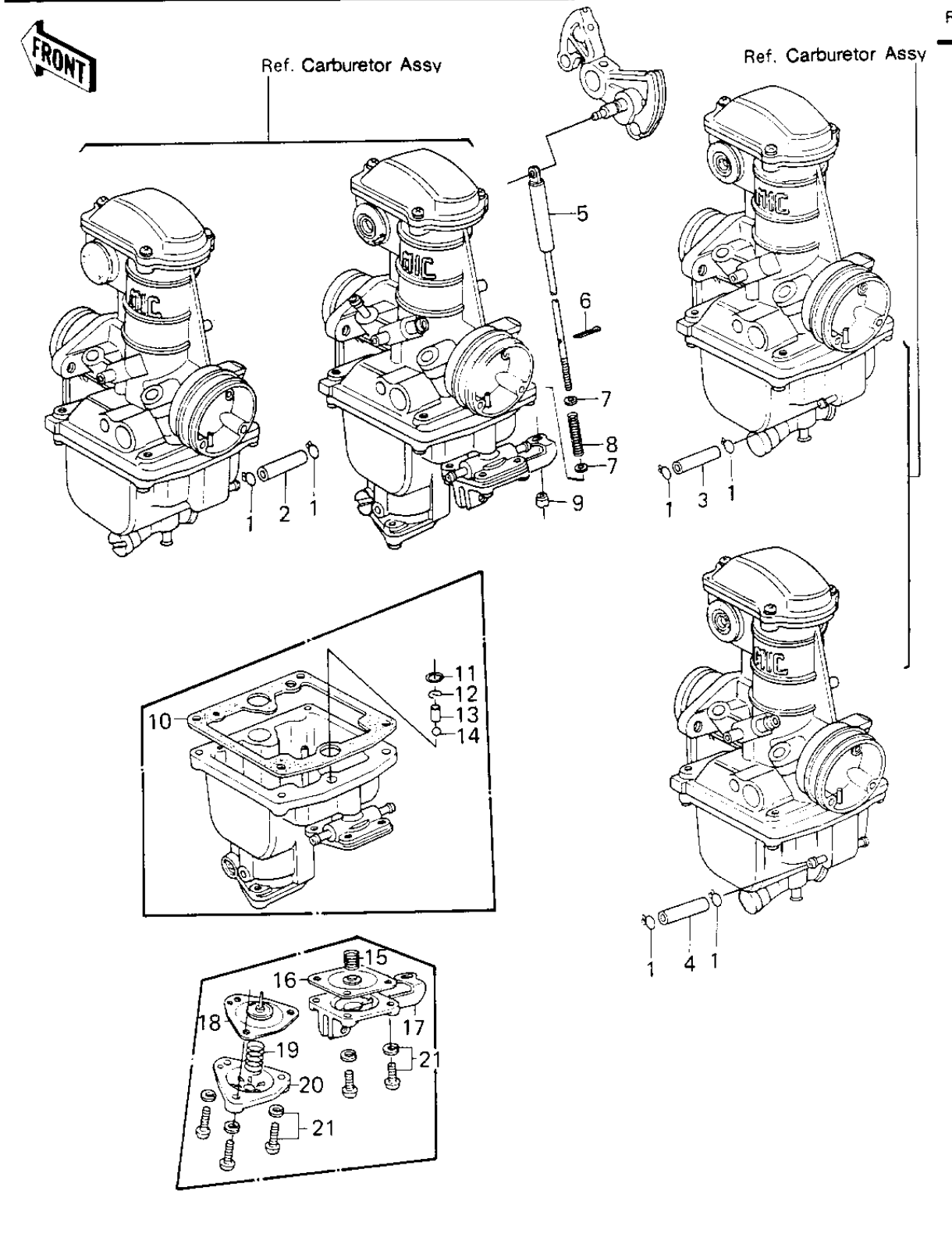


1980 650 LTD PARTS DIAGRAM

ACCELERATOR PUMP



1980 650 LTD PARTS LIST

ACCELERATOR PUMP

ITEM NAME	PART NUMBER	QUANTITY
CLAMP,TUBE (Ref # 1)	92037-1124	1
TUBE,3.5X7.5X47.5 (Ref # 2)	92059-1072	2
TUBE,3.5X7.5X64.5 (Ref # 3)	92059-1071	1
ROD ASSY,PUMP (Ref # 5)	46102-1007	1
COTTER PIN,1.0X6 (Ref # 6)	550D1006	1
WASHER,PUMP ROD (Ref # 7)	92022-1138	1
SPRING,PUMP ROD (Ref # 8)	92081-1138	1
NUT,PUMP ROD (Ref # 9)	92015-1075	1
GASKET,FLOAT CHAMBER (Ref # 10)	11009-1562	1
"O" RING,CHECK VALVE (Ref # 11)	92055-1059	1
CLAMP,SPRING,CHECK VL (Ref # 12)	92037-1123	1
WEIGHT,PUMP,CHECK VLV (Ref # 13)	13042-1004	1
BALL,STEEL,CHECK VALV (Ref # 14)	92140-1003	1
SPRING,PUMP DIAPHRAGM (Ref # 15)	92081-1139	1
DIAPHRAGM,PUMP (Ref # 16)	43028-1012	1
COVER ASSY,PUMP (Ref # 17)	14025-1139	1
DIAPHRAGM,SENSOR (Ref # 18)	43028-1010	1
SPRING,SENSOR DIAPHRA (Ref # 19)	92081-1137	1
COVER,SENSOR (Ref # 20)	14025-1121	1
SCREW-PAN-WS-CROS (Ref # 21)	223B0414	1