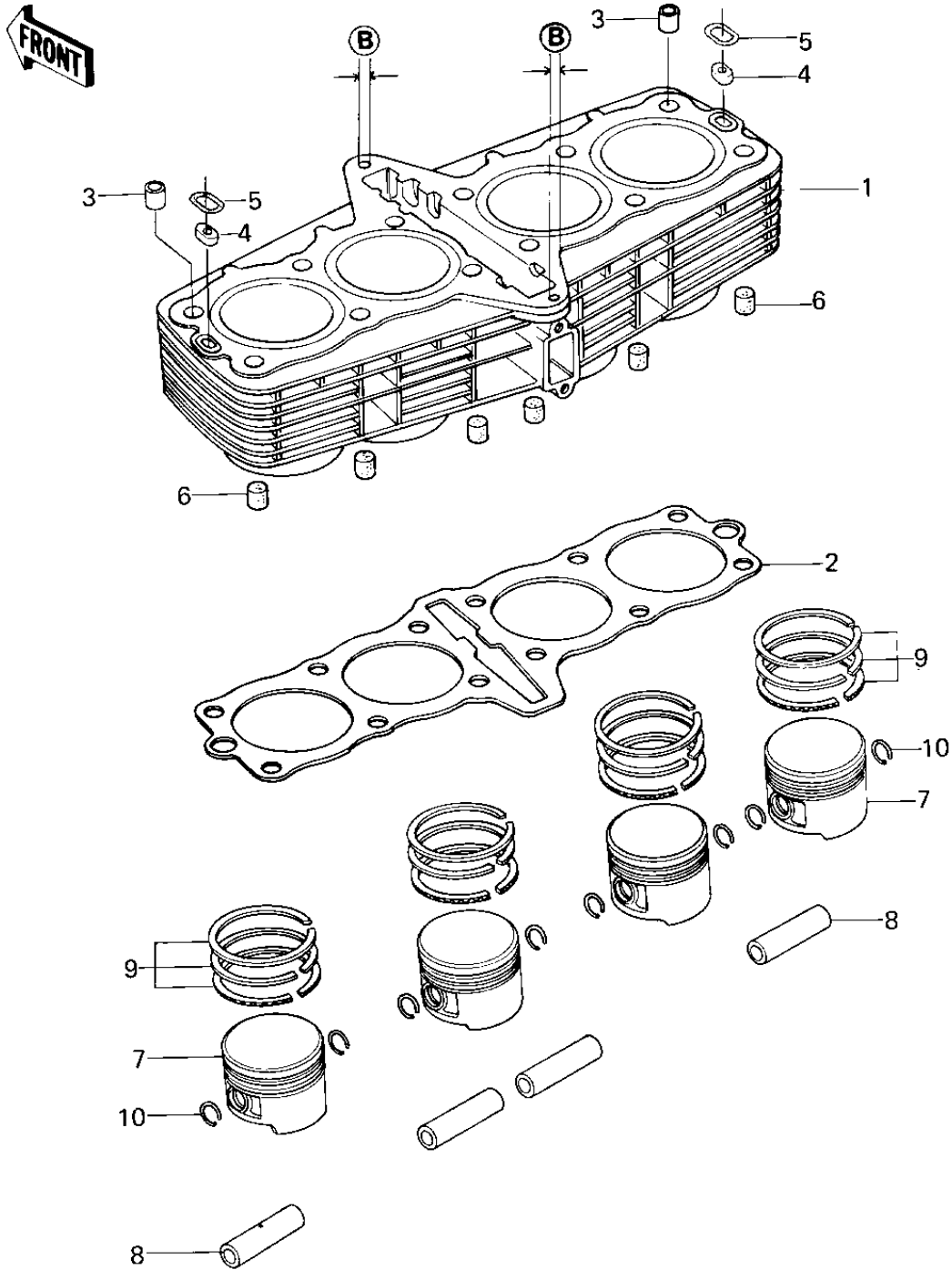


1980 650 LTD PARTS DIAGRAM

CYLINDER/PISTONS



1980 650 LTD PARTS LIST

CYLINDER/PISTONS

ITEM NAME	PART NUMBER	QUANTITY
CYLINDER (Ref # 1)	11005-1039	1
CYLINDER (Ref # 1)	11005-1077	1
GASKET (Ref # 2)	11060-1362	1
PIN,11X14X12.3 (Ref # 3)	92043-1266	1
PIN,OIL LINE (Ref # 4)	92043-1210	1
RING-O (Ref # 5)	92055-1147	1
PLUG,DAMPER (Ref # 6)	92066-1016	1
PISTON,STD (Ref # 7)	13001-1002	1
PISTON,0.020",O.S. (Ref # 7)	13029-077	1
PISTON,0.040",O.S. (Ref # 7)	13027-069	1
PIN-PISTON (Ref # 8)	13002-032	1
RING SET,PISTON,STD (Ref # 9)	13008-059	1
RING SET,0.020",O.S. (Ref # 9)	13025-061	1
RING SET,0.040",O.S. (Ref # 9)	13024-060	1
CIRCLIP PISTON PIN (Ref # 10)	92036-005	1