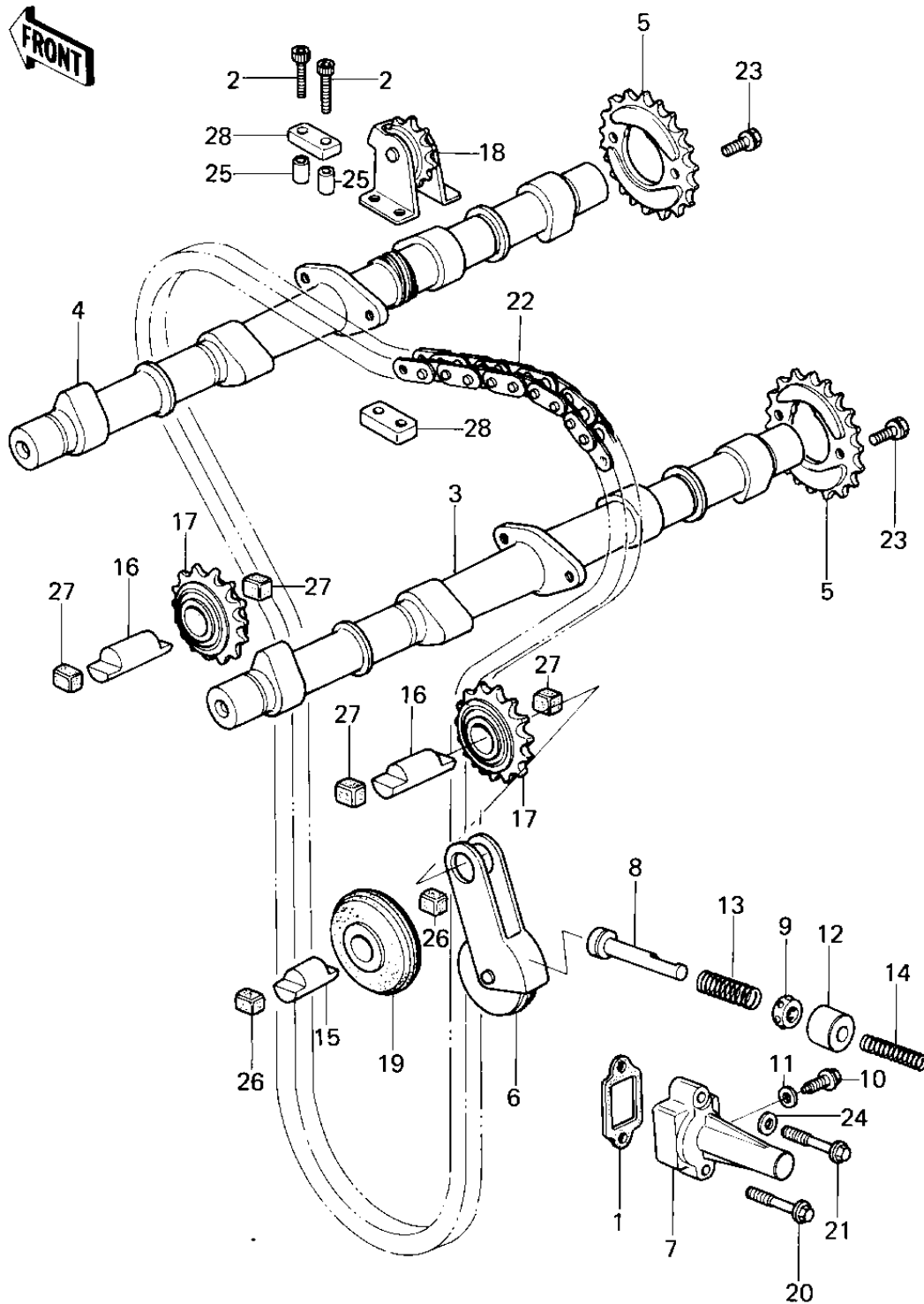


## 1980 650 LTD PARTS DIAGRAM

CAMSHAFTS/CHAIN/TENSIONER



## 1980 650 LTD PARTS LIST

### CAMSHAFTS/CHAIN/TENSIONER

ITEM NAME	PART NUMBER	QUANTITY
GASKET,TENSIONER (Ref # 1)	11009-1980	1
BOLT,ALLEN,6X32 (Ref # 2)	120Q0632	1
CAM SHAFT,INLET (Ref # 3)	12044-012	1
CAM SHAFT,EXHAUST (Ref # 4)	12044-013	1
SPROCKET,CAM (Ref # 5)	12046-004	1
TENSIONER,CAM CHAIN (Ref # 6)	12048-015	1
TENSIONER KIT (Ref # 7)	99996-1021	1
ROD ASSY,PUSH (Ref # 8)	13116-1008	1
RETAINER (Ref # 9)	14020-1002	1
BELT,TENSIONER ADJUST (Ref # 10)	92001-1155	1
WASHER OIL PUMP BANJO (Ref # 11)	92022-077	2
COLLAR, TENSIONER (Ref # 12)	92027-1102	1
SPRING,TENSIONER (Ref # 13)	92081-1068	1
SPRING (Ref # 14)	92081-146	1
SHAFT,CAM CHAIN GUIDE (Ref # 15)	12052-003	1
SHAFT,GUIDE ROLLER (Ref # 16)	12052-005	1
IDLER ASSY,CAM CHAIN (Ref # 17)	12053-1012	1
IDLER ASSY,CAM CHAIN (Ref # 18)	12053-1013	1
ROLLER,CAM CHN GUIDE (Ref # 19)	12055-004	1
BOLT,FLANGED,6X30 (Ref # 20)	130G0630	1
BOLT,FLANGED,6X35 (Ref # 21)	130H0635	1
CHAIN,CAM (Ref # 22)	21070-012	1
BOLT,SPROCKET FITTING (Ref # 23)	92003-208	1
COLLAR,8X15 (Ref # 25)	92027-1079	1
DAMPER RUBBER (Ref # 26)	92075-123	1
RUBBER,GUIDE ROLLAR (Ref # 27)	92075-232	1
DAMPER RUBBER (Ref # 28)	92075-289	1