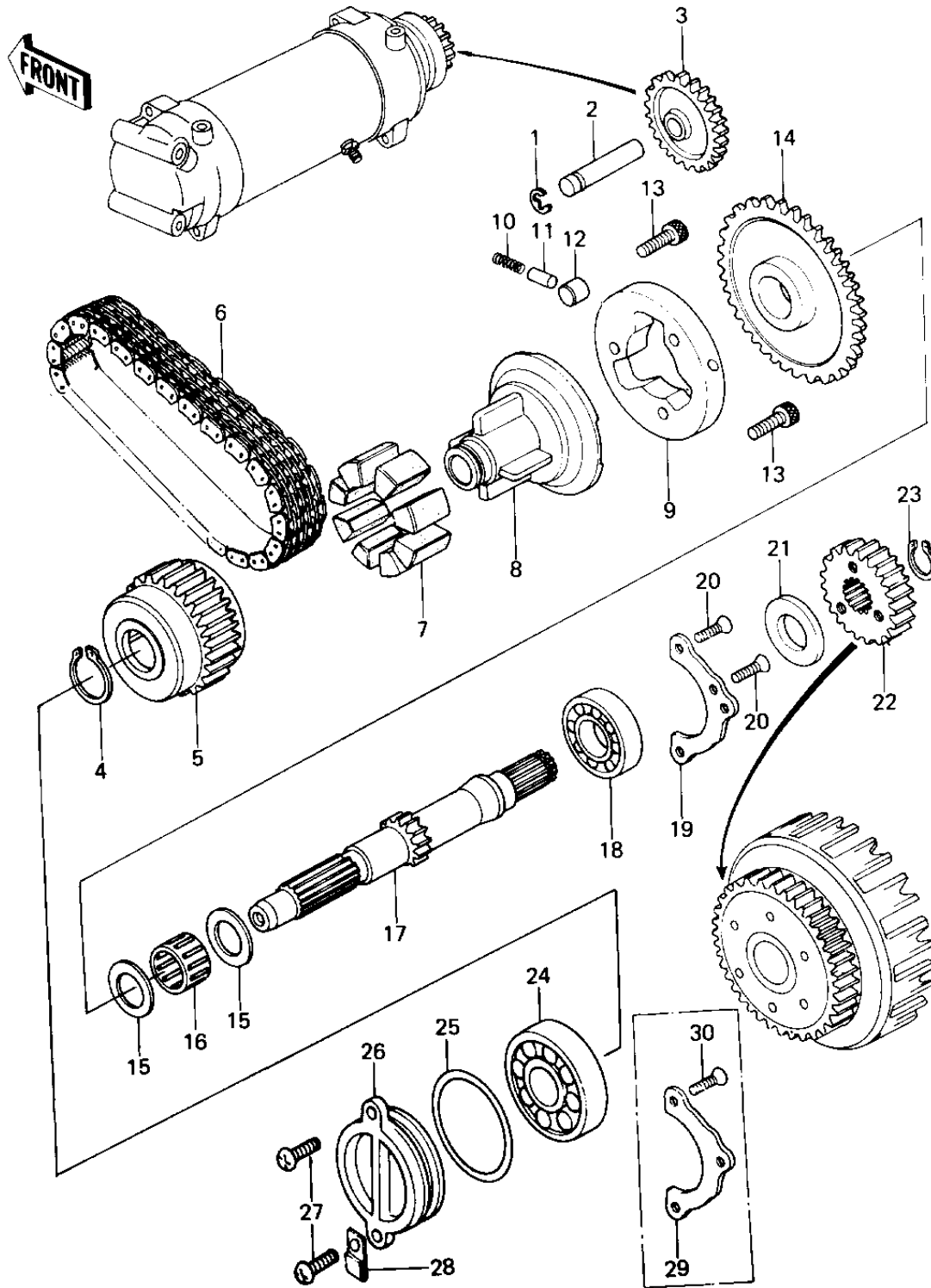


1978 650 SR PARTS DIAGRAM

SECONDARY SHAFT/STARTER CLUTCH



1978 650 SR PARTS LIST

SECONDARY SHAFT/STARTER CLUTCH

| ITEM NAME | PART NUMBER | QUANTITY |
|----------------------------------|-------------|----------|
| CIRCLIP 12MM (Ref # 1) | 482K0200 | 1 |
| SHAFT,IDLE GEAR (Ref # 2) | 21143-003 | 1 |
| GEAR,IDLE,29T (Ref # 3) | 21167-004 | 1 |
| CIRCLIP 28MM (Ref # 4) | 480J2800 | 1 |
| COUPLING,OUTER (Ref # 5) | 13252-001 | 1 |
| CHAIN,PRIMARY 52L (Ref # 6) | 13122-007 | 1 |
| DAMPER RUBBER (Ref # 7) | 13098-029 | 1 |
| COUPLING,INNER (Ref # 8) | 13253-001 | 1 |
| CLUTCH-ASSY-ONEWAY (Ref # 9) | 13193-1012 | 1 |
| SPRING (Ref # 10) | 92081-110 | 1 |
| PIN (Ref # 11) | 92043-087 | 1 |
| ROLLER (Ref # 12) | 92122-004 | 1 |
| BOLT,SOCKET,8X12 (Ref # 13) | 120P0812 | 1 |
| SPROCKET,STARTER,58T (Ref # 14) | 12046-1032 | 1 |
| SPACER,STARTER CLUTCH (Ref # 15) | 92026-117 | 1 |
| BRG,NEEDLE,K253017 (Ref # 16) | 92046-056 | 1 |
| SHAFT,SECONDARY (Ref # 17) | 13127-054 | 1 |
| BEARING BALL #6305 (Ref # 18) | 601B6305 | 1 |
| PLATE,POSITIONING (Ref # 19) | 14014-1007 | 2 |
| SCREW CNTSNK HD 6X20 (Ref # 20) | 221B0620 | 2 |
| COLLAR,T=5MM (Ref # 21) | 92027-263 | 1 |
| GEAR,2ND SHAFT,29T (Ref # 22) | 13121-037 | 1 |
| CIRCLIP,22MM (Ref # 23) | 480J2200 | 1 |
| BEARING BALL #6304 (Ref # 24) | 601B6304 | 1 |
| "O" RING,46MM (Ref # 25) | 670B3046 | 1 |
| PLUG,SECONDARY SHAFT (Ref # 26) | 92066-1019 | 1 |
| SCREW PAN HEAD 6X20 (Ref # 27) | 220B0620 | 1 |
| CLAMP,WIRING HARNESS (Ref # 28) | 21126-008 | 1 |