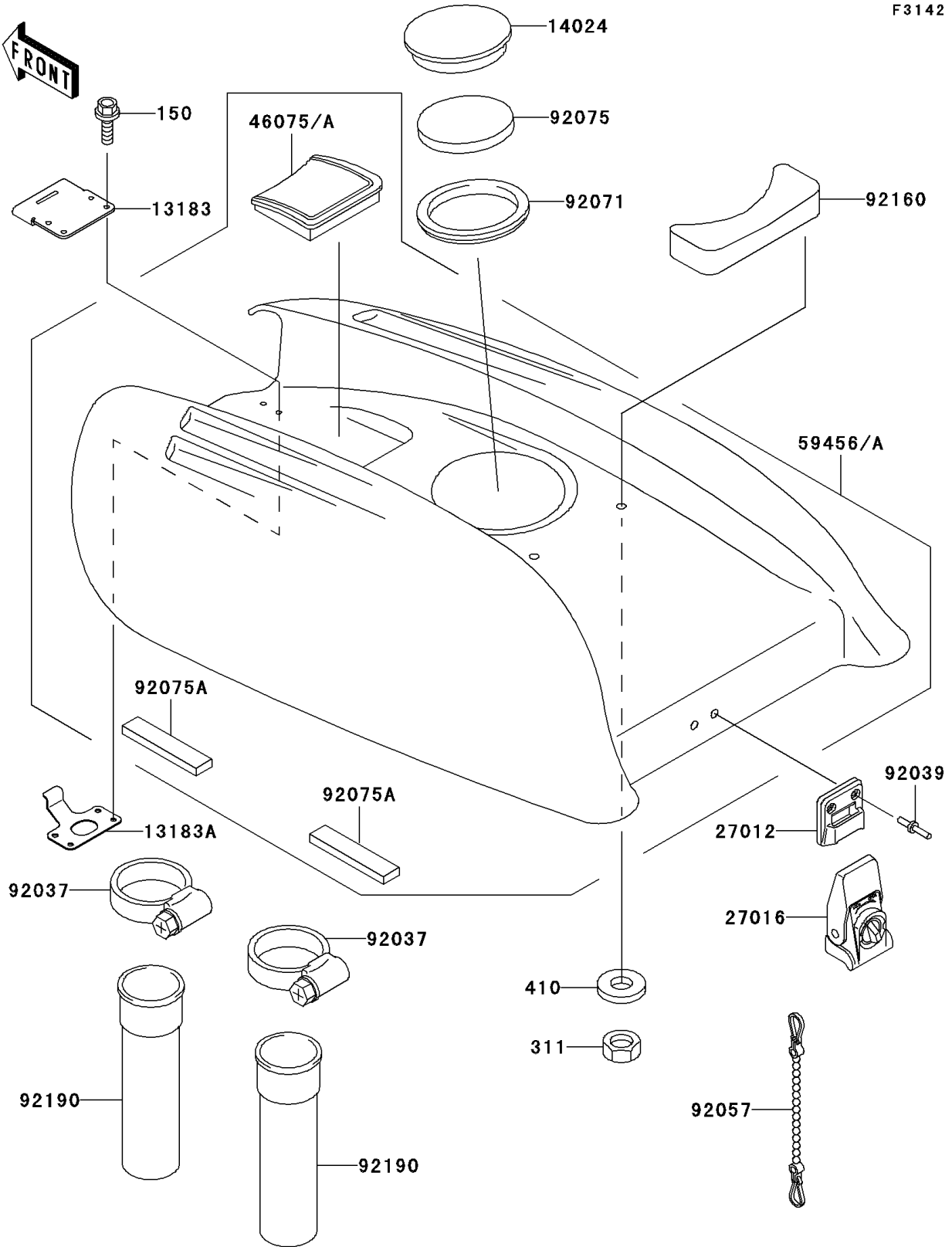


## 1998 JET SKI® SXi Pro PARTS DIAGRAM

Engine Hood

F3142



## 1998 JET SKI® SXi Pro PARTS LIST

### Engine Hood

| ITEM NAME                                 | PART NUMBER   | QUANTITY |
|---|---------------|----------|
| BOLT-WS,5X25 (Ref # 150)                  | 150R0525      | 1        |
| NUT-HEX,5MM (Ref # 311)                   | 311R0500      | 1        |
| W-PLAIN-S,5MM (Ref # 410)                 | 410S0500      | 1        |
| PLATE,ENGINE HOOD (Ref # 13183)           | 13183-3788    | 1        |
| PLATE,ENGINE HOOD (Ref # 13183A)          | 13183-3789    | 1        |
| COVER (Ref # 14024)                       | 14024-3748    | 1        |
| HOOK,ENGINE HOOD LOCK (Ref # 27012)       | 27012-3762    | 1        |
| LOCK-ASSY,ENGINE HOOD (Ref # 27016)       | 27016-3723    | 1        |
| GRIP,ENGINE HOOD,J.S.VIOLET (Ref # 46075) | 46075-3722-23 | 1        |
| HOOD-COMP-ENGINE,J.S.VIOLET (Ref # 59456) | 59456-3728-23 | 1        |
| CLAMP (Ref # 92037)                       | 92037-3738    | 1        |
| RIVET (Ref # 92039)                       | 92039-3750    | 1        |
| CHAIN,COVER,L=100 (Ref # 92057)           | 92057-3704    | 1        |
| GROMMET (Ref # 92071)                     | 92071-3742    | 1        |
| DAMPER (Ref # 92075)                      | 92075-3737    | 1        |
| DAMPER (Ref # 92075A)                     | 92075-3757    | 1        |
| DAMPER (Ref # 92160)                      | 92160-3772    | 1        |
| TUBE (Ref # 92190)                        | 92190-3824    | 1        |