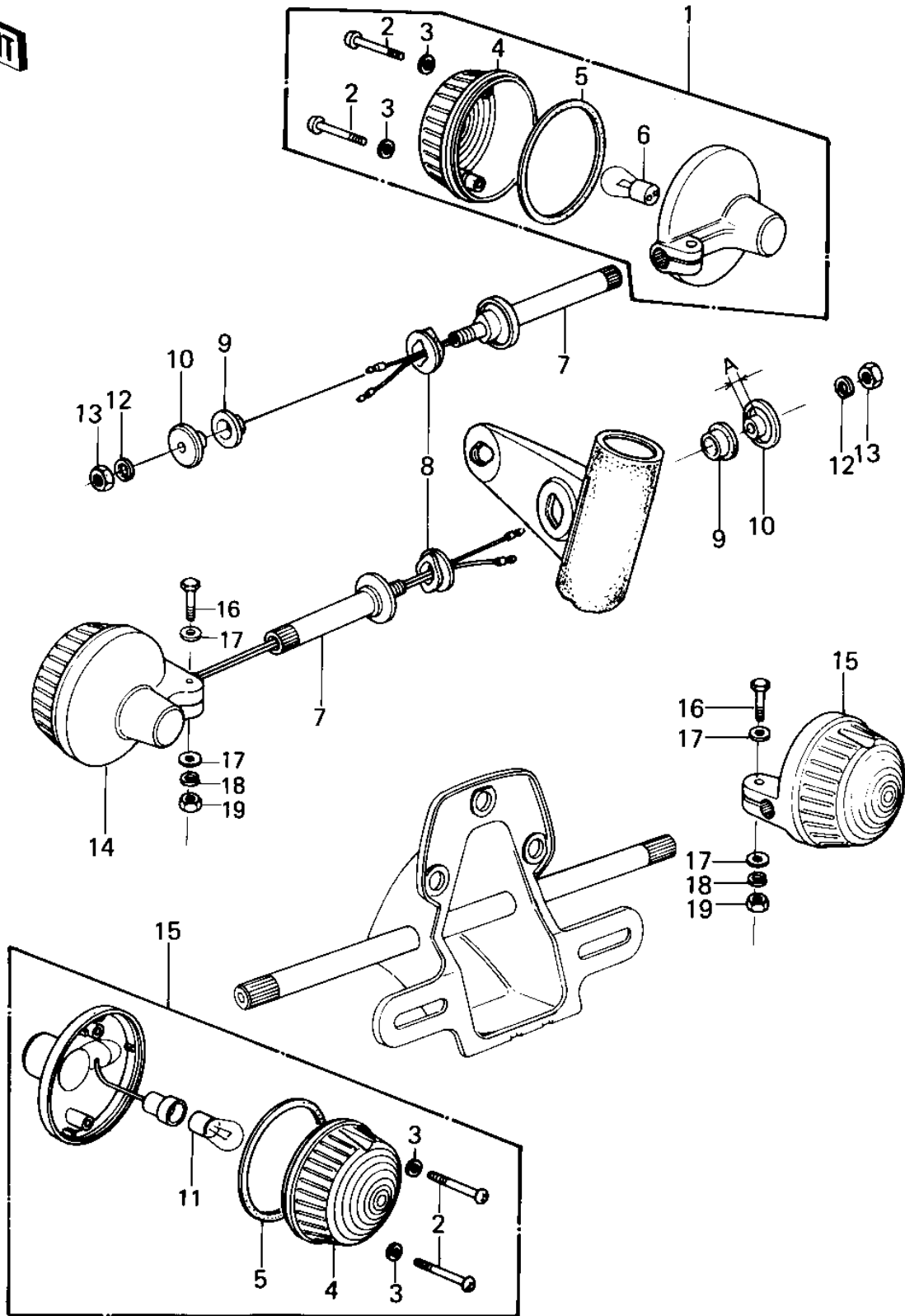


## 1980 KZ440 Standard PARTS DIAGRAM

TURN SIGNALS ('80 B1)



## 1980 KZ440 Standard PARTS LIST

TURN SIGNALS ('80 B1)

ITEM NAME	PART NUMBER	QUANTITY
LIGHT ASSY,TRN SG,R.H (Ref # 1)	23040-1005	1
SCREW-PAN HEAD,4X35 (Ref # 2)	220E0435A	1
WASHER-PLAIN,4MM (Ref # 3)	23058-002	1
LENS-SIGNAL LAMP (Ref # 4)	23048-1024	1
GASKET,TURN SIG LAMP (Ref # 5)	23050-002	1
BULB,12V 23/8W (Ref # 6)	92069-060	1
BRACKET,TURN SIGNAL.L (Ref # 7)	23051-053	1
DAMPER RUBBER (Ref # 8)	92075-128	1
DAMPER RUBBER,SIG LM (Ref # 9)	92075-158	1
COLLAR,SIGNAL LAMP (Ref # 10)	92027-1060	1
BULB 12V 32CP (Ref # 11)	92069-055	1
WASHER SPRING 10MM (Ref # 12)	461F1000	1
NUT 10MM (Ref # 13)	315B1000	1
LIGHT ASSY,TRN,SG,L.H (Ref # 14)	23040-1006	1
LAMP-TURN SIGNAL (Ref # 15)	23040-029	1
BOLT-UPSET (Ref # 16)	112G0630	1
WASHER PLAIN 6MM (Ref # 17)	411B0600	1
WASHER SPRING 6MM (Ref # 18)	461F0600	1
NUT 6MM (Ref # 19)	311B0600	1