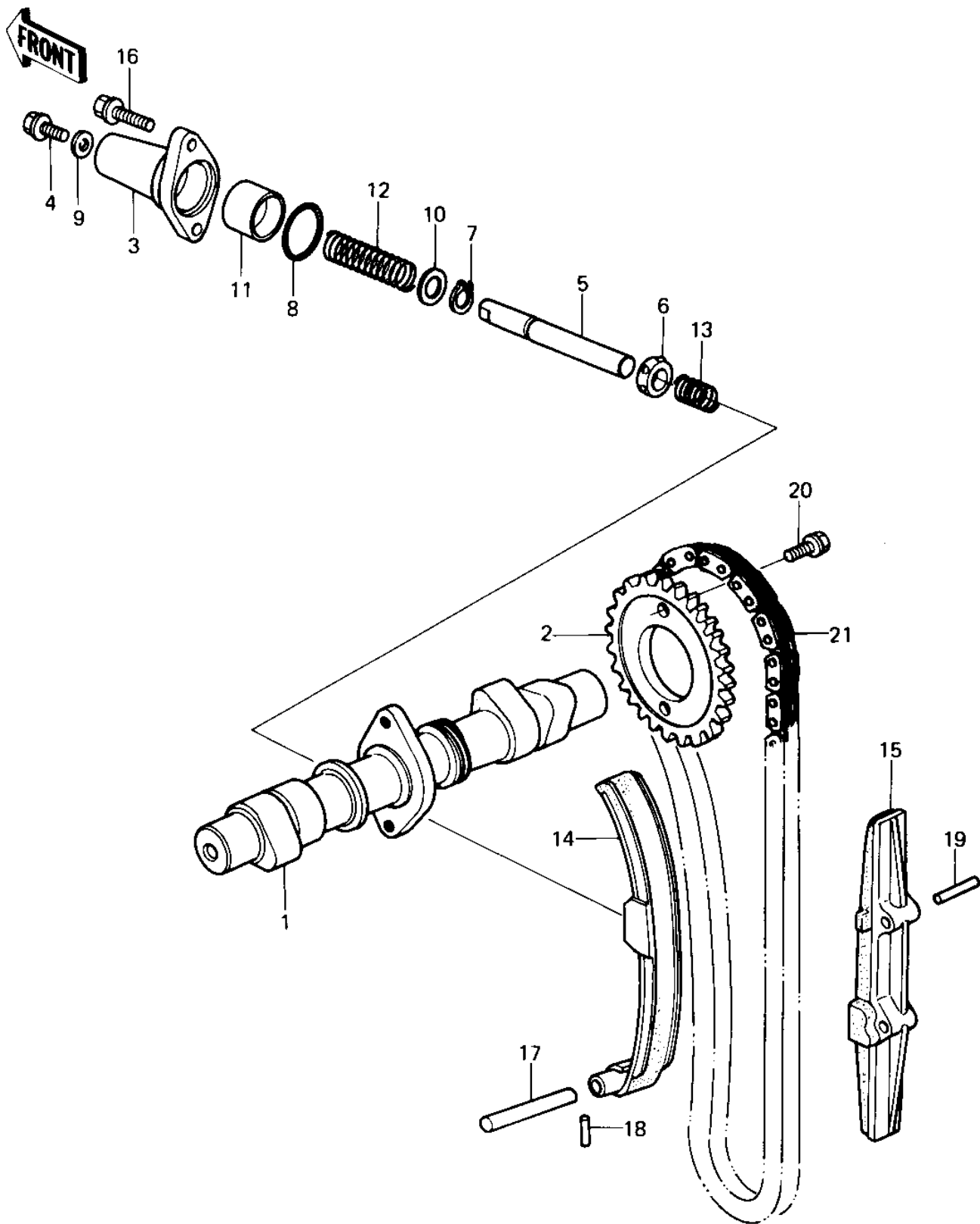


1980 KZ440 Standard PARTS DIAGRAM

CAMSHAFT/CHAIN/TENSIONER ('80 B1)



1980 KZ440 Standard PARTS LIST

CAMSHAFT/CHAIN/TENSIONER ('80 B1)

ITEM NAME	PART NUMBER	QUANTITY
CAMSHAFT,VALVE (Ref # 1)	12044-5001	1
SPROCKET,CAM,46T (Ref # 2)	12046-1022	1
BRACKET,TENSIONER (Ref # 3)	12049-1010	1
BOLT,FLANGED,6X14 (Ref # 4)	130N0614	1
ROD,PUSH,TENSIONER (Ref # 5)	13116-1022	1
RETAINER (Ref # 6)	14020-1002	1
CIRCLIP,10M/M (Ref # 7)	480J1000	1
"O" RING,21MM (Ref # 8)	670D2021	1
WASHER OIL PUMP BANJO (Ref # 9)	92022-077	1
WASHER,10X14.5X1.0 (Ref # 10)	92022-1181	1
COLLAR,TENSIONER (Ref # 11)	92027-1240	1
SPRING,TENSIONER (Ref # 12)	92081-1206	1
SPRING,TENSIONER (Ref # 13)	92081-1207	1
GUIDE,CHAIN,FRONT (Ref # 14)	12053-1041	1
GUIDE,CHAIN,REAR (Ref # 15)	12053-1042	1
BOLT,FLANGED,6X20 (Ref # 16)	130G0620	1
SHAFT,CHAIN GUIDE (Ref # 17)	39115-1001	1
PIN,DOWEL,3X25 (Ref # 18)	551A0325	1
PIN,DOWEL,5X32 (Ref # 19)	551A0532	1
BOLT,SPROCKET FITTING (Ref # 20)	92003-208	1
CHAIN,CAMSHAFT,114L (Ref # 21)	92057-1038	1