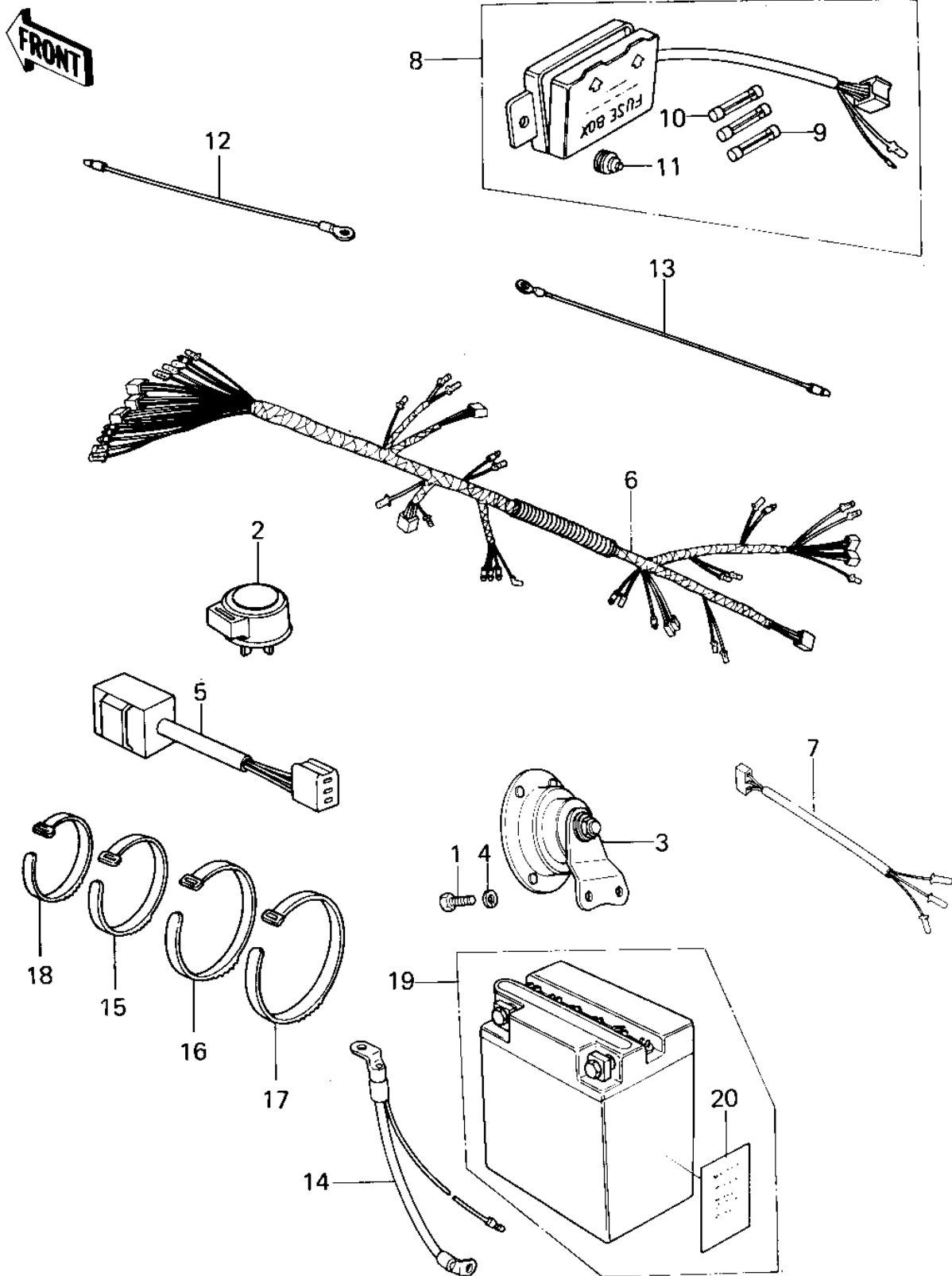


1979 400 LTD PARTS DIAGRAM

CHASSIS ELECTRICAL EQUIPMENT



1979 400 LTD PARTS LIST

CHASSIS ELECTRICAL EQUIPMENT

ITEM NAME	PART NUMBER	QUANTITY
BOLT-SMALL-UPSET,8X16 (Ref # 1)	115G0816	1
RELAY-TURN SIGNAL (Ref # 2)	27002-011	1
HORN (Ref # 3)	27003-1019	1
WASHER SPRING 8MM (Ref # 4)	461F0800	1
SWITCH,BK LIGHT IND (Ref # 5)	28019-002	1
HARNESS,MAIN (Ref # 6)	26001-1127	1
WIRING HARNESS,TL LMP (Ref # 7)	26002-046	1
FUSE ASSY (Ref # 8)	26004-035	1
FUSE 10A (Ref # 9)	26006-003	1
FUSE-20A (Ref # 10)	26006-005	1
DAMPER RUBBER,FUSE (Ref # 11)	92075-279	1
LEAD WIRE,SIGNAL LAMP (Ref # 12)	26011-063	1
WIRE,LEAD (Ref # 13)	26011-095	1
WIRE LEAD,BATTERY GRD (Ref # 14)	26011-1022	1
BAND,SHORT (Ref # 15)	92072-030	1
BAND,MIDDLE (Ref # 16)	92072-031	1
BAND,LONG (Ref # 17)	92072-032	1
BAND,BREATHER WIRE (Ref # 18)	92072-067	1
FB BAT FB12A-A (Ref # 19)	26012-1004	1
LABEL-WARNING,BATTERY (Ref # 20)	56040-1036	1