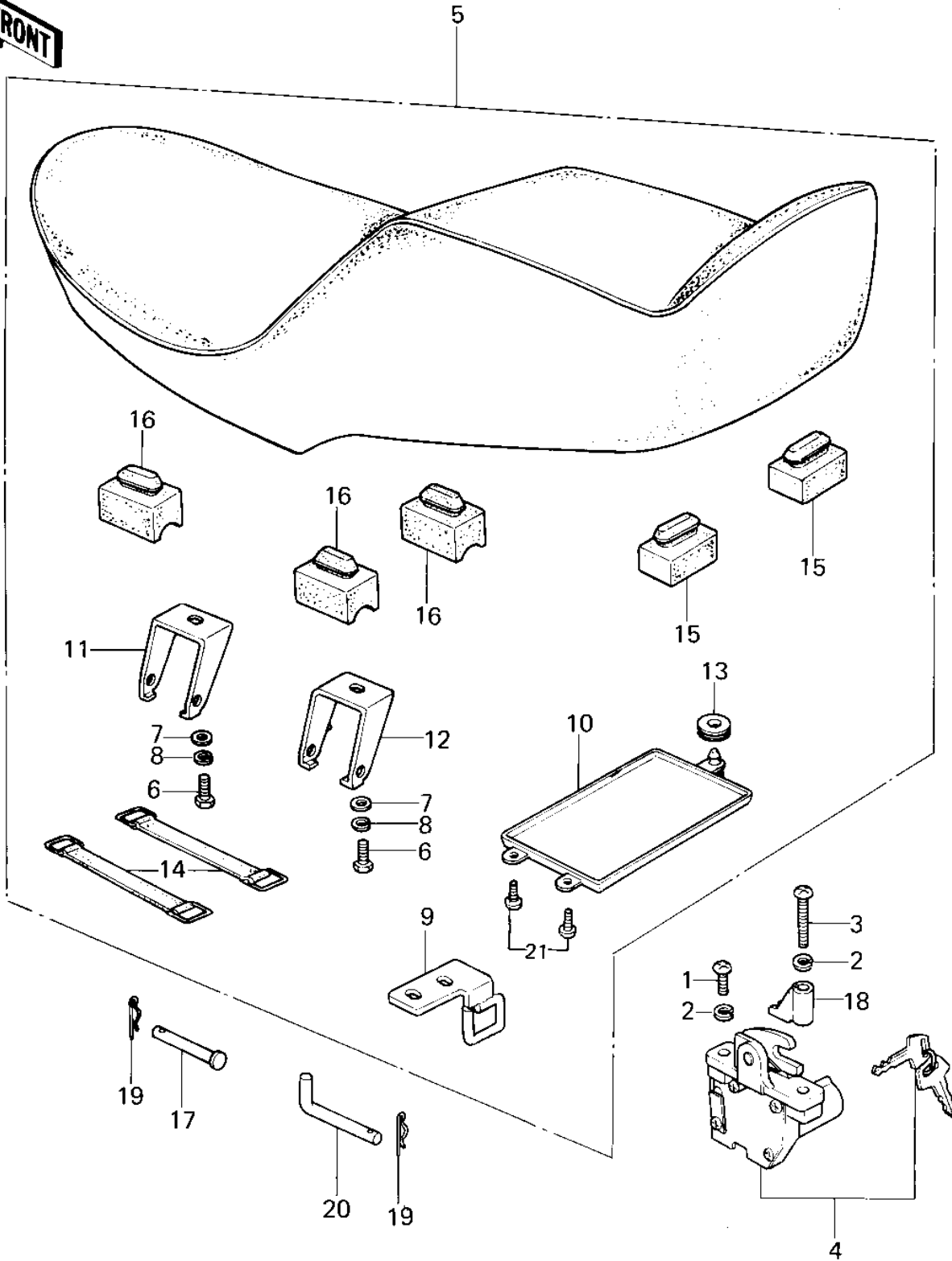


1979 400 LTD PARTS DIAGRAM

SEAT

FRONT



1979 400 LTD PARTS LIST

SEAT

ITEM NAME	PART NUMBER	QUANTITY
SCREW PAN HEAD 6X12 (Ref # 1)	220B0612	1
WASHER SPRING 6MM (Ref # 2)	461F0600	2
SCREW PAN HEAD 6X35 (Ref # 3)	220B0635	1
LOCK ASSY,SEAT HELMET (Ref # 4)	27016-5028	1
SEAT-ASSY,DUAL (Ref # 5)	53001-1061	1
BOLT-UPSET 6X14 (Ref # 6)	112B0614	1
WASHER PLAIN 6MM (Ref # 7)	411B0600	1
HOOK,SEAT (Ref # 9)	27012-1011	1
CASE (Ref # 10)	32099-011	1
HINGE, REAR (Ref # 11)	53009-026	1
HINGE,SEAT (Ref # 12)	53009-1017	1
GROMMET (Ref # 13)	92071-056	1
BAND (Ref # 14)	92072-1006	1
DAMPER RUBBER (Ref # 15)	92075-099	1
DAMPER RUBBER-SEAT (Ref # 16)	92075-156	1
PIN, DUAL SEAT PIVOT (Ref # 17)	53011-006	1
GUARD,SEAT LOCK (Ref # 18)	55020-1031	1
COTTER PIN (Ref # 19)	92041-003	1
PIN,SEAT PIVOT (Ref # 20)	92043-1064	1
SCREW (Ref # 21)	92009-1043	1