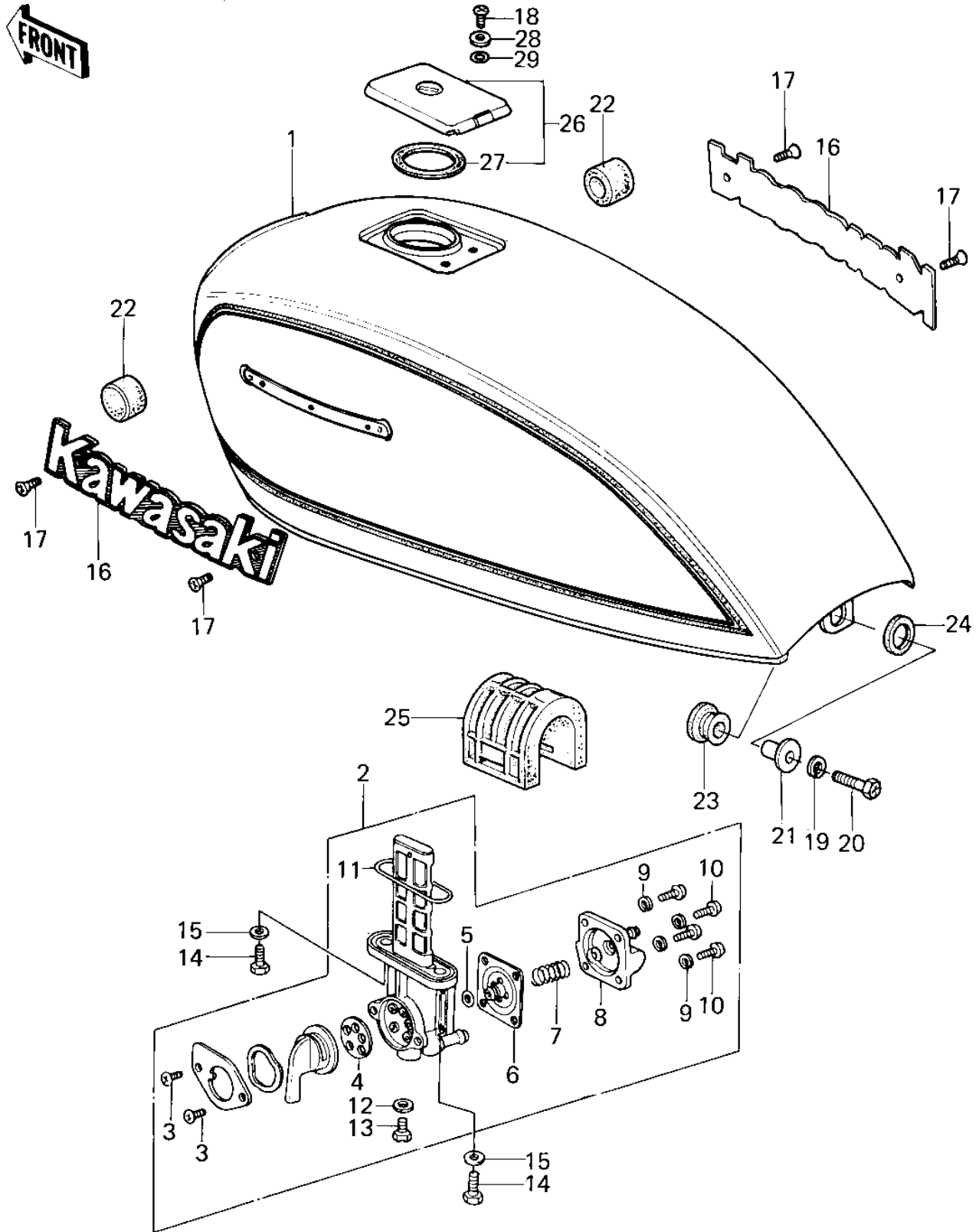


## 1979 400 LTD PARTS DIAGRAM

FUEL TANK



## 1979 400 LTD PARTS LIST

### FUEL TANK

ITEM NAME	PART NUMBER	QUANTITY
TANK-FUEL,EBONY (Ref # 1)	51001-1026-8G	1
TAP ASSY,FUEL (Ref # 2)	51023-1030	1
SCREW PAN HEAD 4X8 (Ref # 3)	220B0408	1
GASKET,TAP VALVE (Ref # 4)	11009-1068	1
"O" RING,DIAPHRAGM (Ref # 5)	92055-1068	1
DIAPHRAGM ASSY,TAP (Ref # 6)	43028-1009	1
SPRING,DIAPHRAGM (Ref # 7)	92081-1054	1
COVER ASSY,TAP DIAPRM (Ref # 8)	16146-1006	1
WASHER SPRING 4MM (Ref # 9)	461F0400	1
SCREW PAN HEAD 4X10 (Ref # 10)	220B0410	1
"O" RING,TAP FLANGED (Ref # 11)	43058-1006	1
GASKET,DRAIN BOLT (Ref # 12)	11009-1045	1
BOLT,DRAIN (Ref # 13)	92001-1089	1
BOLT,6X20,FUEL TAP (Ref # 14)	92001-1091	1
WASHER-PLAIN (Ref # 15)	92022-183	1
EMBLEM,FUEL TANK (Ref # 16)	56014-1038	1
SCREW-CSK-CROS (Ref # 17)	221C0306	1
SCREW PAN HEAD 5X10 (Ref # 18)	220B0510	1
WASHER SPRING 6MM (Ref # 19)	461F0600	1
BOLT,HEX HEAD,6X25 (Ref # 20)	92001-1284	1
COLLAR (Ref # 21)	92027-251	1
DAMPER RUBBER-FL TANK (Ref # 22)	92075-101	1
RUBBER,FENDER COVER (Ref # 23)	92075-174	1
DAMPER RUBBER (Ref # 24)	92075-175	1
DAMPER RUBBER (Ref # 25)	92075-284	1
CAP ASSY TANK (Ref # 26)	51048-1018	1
GASKET,FUEL TANK CAP (Ref # 27)	11009-1051	1
WASHER,PLAIN (Ref # 28)	92022-1038	1
"O" RING (Ref # 29)	92055-1023	1