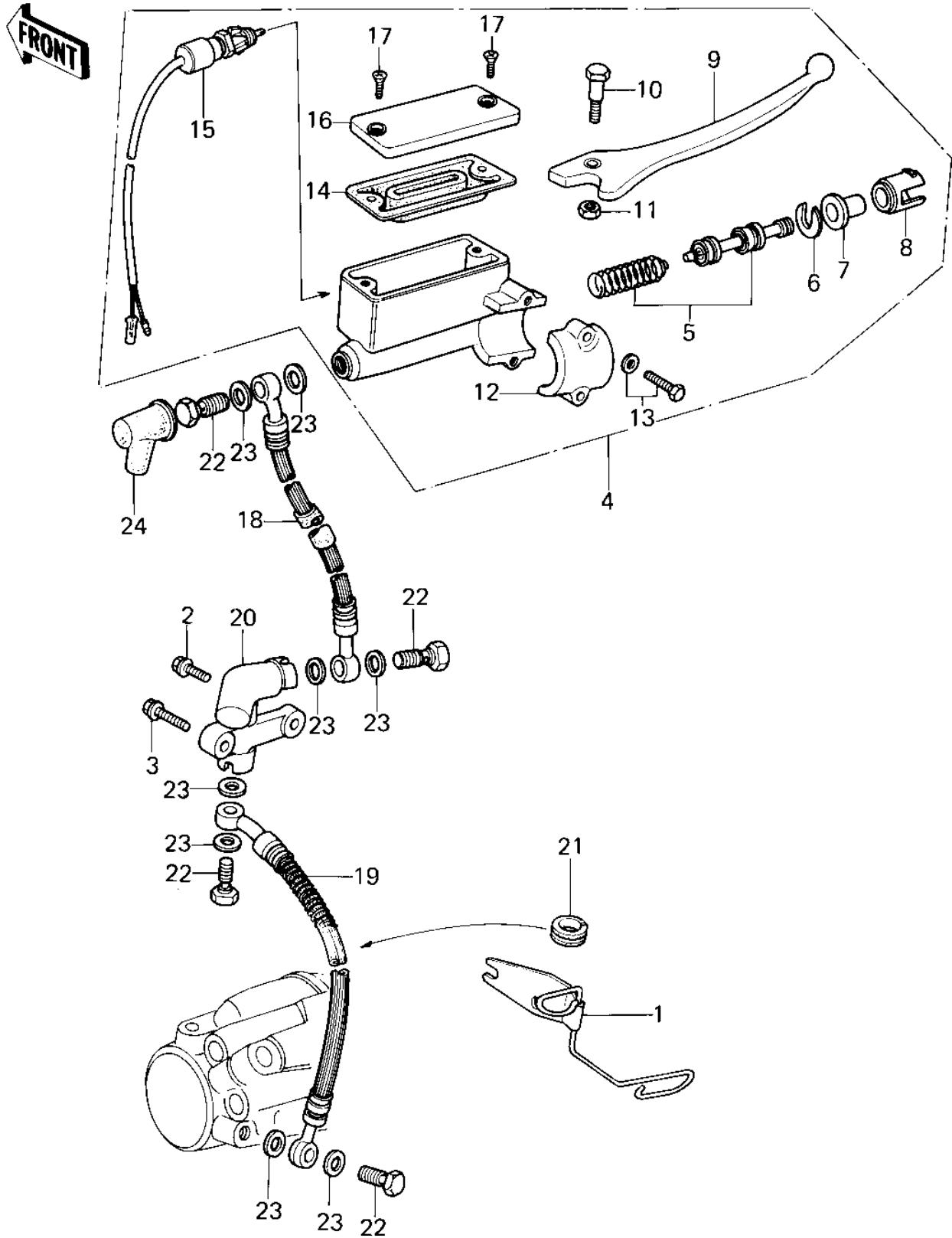


## 1979 400 LTD PARTS DIAGRAM

### FRONT MASTER CYLINDER



## 1979 400 LTD PARTS LIST

### FRONT MASTER CYLINDER

ITEM NAME	PART NUMBER	QUANTITY
BRACKET,FRONT FENDER (Ref # 1)	11034-1573	1
BOLT,FLANGED,6X20 (Ref # 2)	130B0620	1
BOLT,FLANGED,6X30 (Ref # 3)	131B0630	1
CYLINDER ASSY,MASTER (Ref # 4)	43015-1044	1
PISTON-COMP-BRAKE (Ref # 5)	43020-1026	1
STOPER,PISTON (Ref # 6)	43022-1001	1
DUST COVER (Ref # 7)	49016-1010	1
LINER,PISTON (Ref # 8)	14008-1007	1
LEVER,FRONT BRAKE (Ref # 9)	46092-1009	1
BOLT,CLUTCH LEV FITT (Ref # 10)	92001-1056	1
NUT 6MM (Ref # 11)	312B0600	1
HOLDER,MASTER CYLINDR (Ref # 12)	43034-1001	1
BOLT,HEX HEAD,6X25 (Ref # 13)	43033-003	1
DIAPHRAGM (Ref # 14)	43028-1008	1
SWITCH,BRAKE (Ref # 15)	27010-1028	1
CAP,OIL CUP (Ref # 16)	43026-1006	1
SCREW,COUNTERSUNK HED (Ref # 17)	92001-1055	1
HOSE,BRAKE,M/C,L=390 (Ref # 18)	43059-1037	1
HOSE,BRAKE,CALIPER (Ref # 19)	43059-1043	1
JOINT,BRAKE,TWO WAY (Ref # 20)	43061-1003	1
DAMPER RUBBER,CYL HSE (Ref # 21)	43064-006	1
BOLT,OIL,L=23 (Ref # 22)	92002-1888	1
WASHER-OIL BOLT (Ref # 23)	43067-001	1
BOOT,DUST (Ref # 24)	49006-1041	1