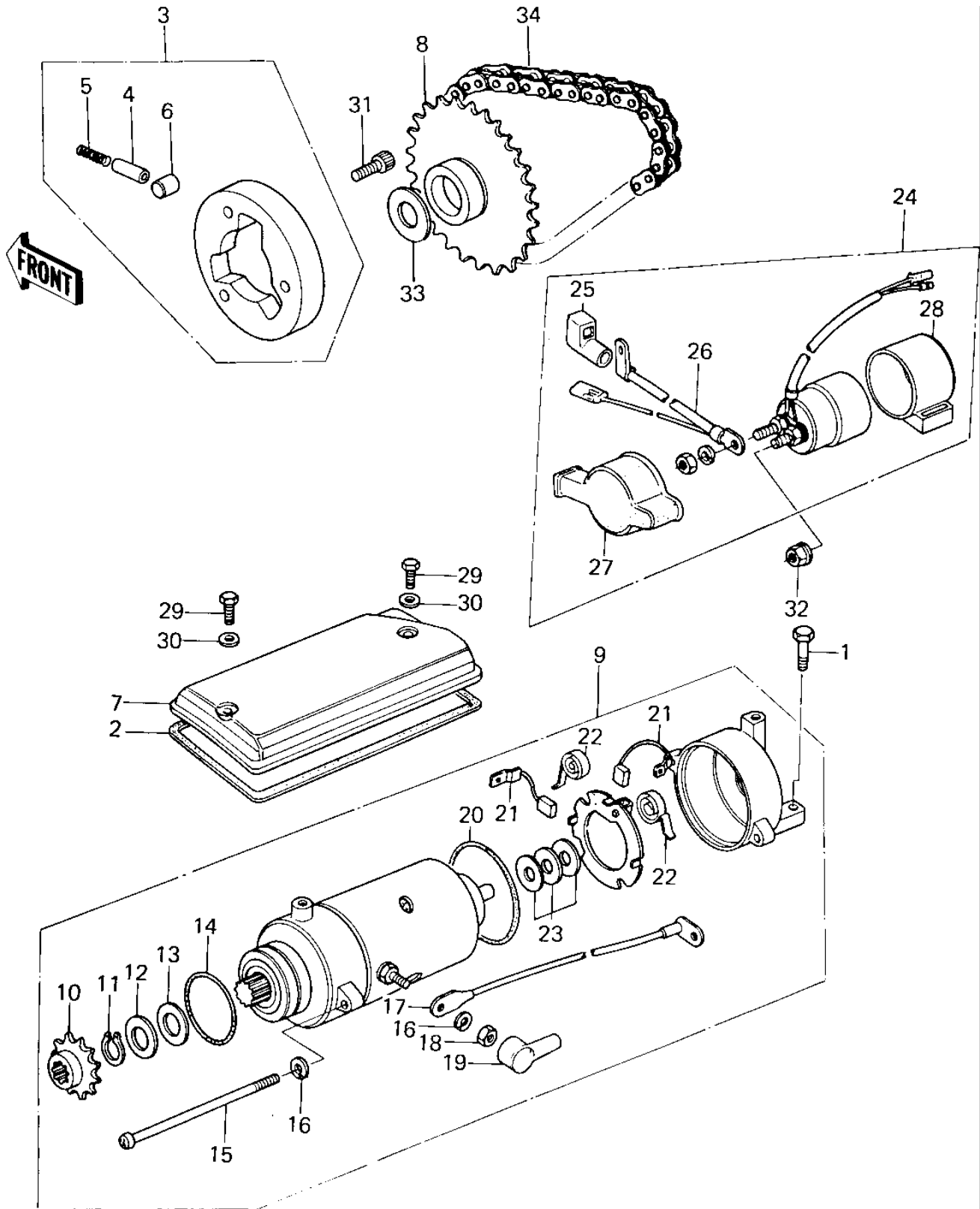


## 1979 400 LTD PARTS DIAGRAM

STARTER MOTOR/STARTER CLUTCH



## 1979 400 LTD PARTS LIST

### STARTER MOTOR/STARTER CLUTCH

ITEM NAME	PART NUMBER	QUANTITY
BOLT-UPSET (Ref # 1)	112G0625	1
GASKET,STARTER COVER (Ref # 2)	11009-1006	1
CLUTCH ASSY,STARTER (Ref # 3)	13193-1001	1
PIN (Ref # 4)	92043-087	1
SPRING (Ref # 5)	92081-110	1
ROLLER (Ref # 6)	92122-004	1
COVER,STARTER (Ref # 7)	14025-1284	1
SPROCKET,ONWAY CLUTCH (Ref # 8)	12046-1030	1
MOTOR ASSY,STARTER (Ref # 9)	21163-1011	1
SPROCKET STARTNG MOT (Ref # 10)	21053-002	1
CIRCLIP 14MM (Ref # 11)	480J1400	1
WASHER,PLAIN,14MM (Ref # 12)	21025-008	1
WASHER PLAIN 14MM (Ref # 13)	21025-009	1
"O" RING,42.8MM (Ref # 14)	21027-005	1
SCREW PAN HEAD 6X110 (Ref # 15)	220B06110	1
WASHER SPRING 6MM (Ref # 16)	461F0600	1
WIRE STRTER MOT LEAD (Ref # 17)	26010-035	1
NUT 6MM (Ref # 18)	312B0600	1
CAP,STARTING MOTOR (Ref # 19)	21017-020	1
"O" RING,62MM (Ref # 20)	21027-006	1
BRUSH CARBON (Ref # 21)	21039-004	1
SPRING CARBON BRUSH (Ref # 22)	21040-004	1
WASHER,PLAIN,9MM (Ref # 23)	21025-007	1
SWITCH,MAGNETIC (Ref # 24)	27010-1040	1
CAP,MAG SWTCH TERMNL (Ref # 25)	21017-021	1
WIRE LEAD MAG SWITCH (Ref # 26)	26011-1107	1
COVER MAGNETIC SWITCH (Ref # 27)	21141-004	1
DAMPER MAG SWITCH SHK (Ref # 28)	21064-002	1
BOLT (6X10) (Ref # 29)	110R0610	1

## 1979 400 LTD PARTS LIST

STARTER MOTOR/STARTER CLUTCH

ITEM NAME	PART NUMBER	QUANTITY
WASHER,PLAIN,6MM (Ref # 30)	410D0600	1
BOLT (Ref # 31)	120P0816	1
NUT,LOCK 6MM (Ref # 32)	92017-014	1
SPACER,25X40X1 (Ref # 33)	92026-1004	1
CHAIN,DYNAMO (Ref # 34)	92057-1009	1