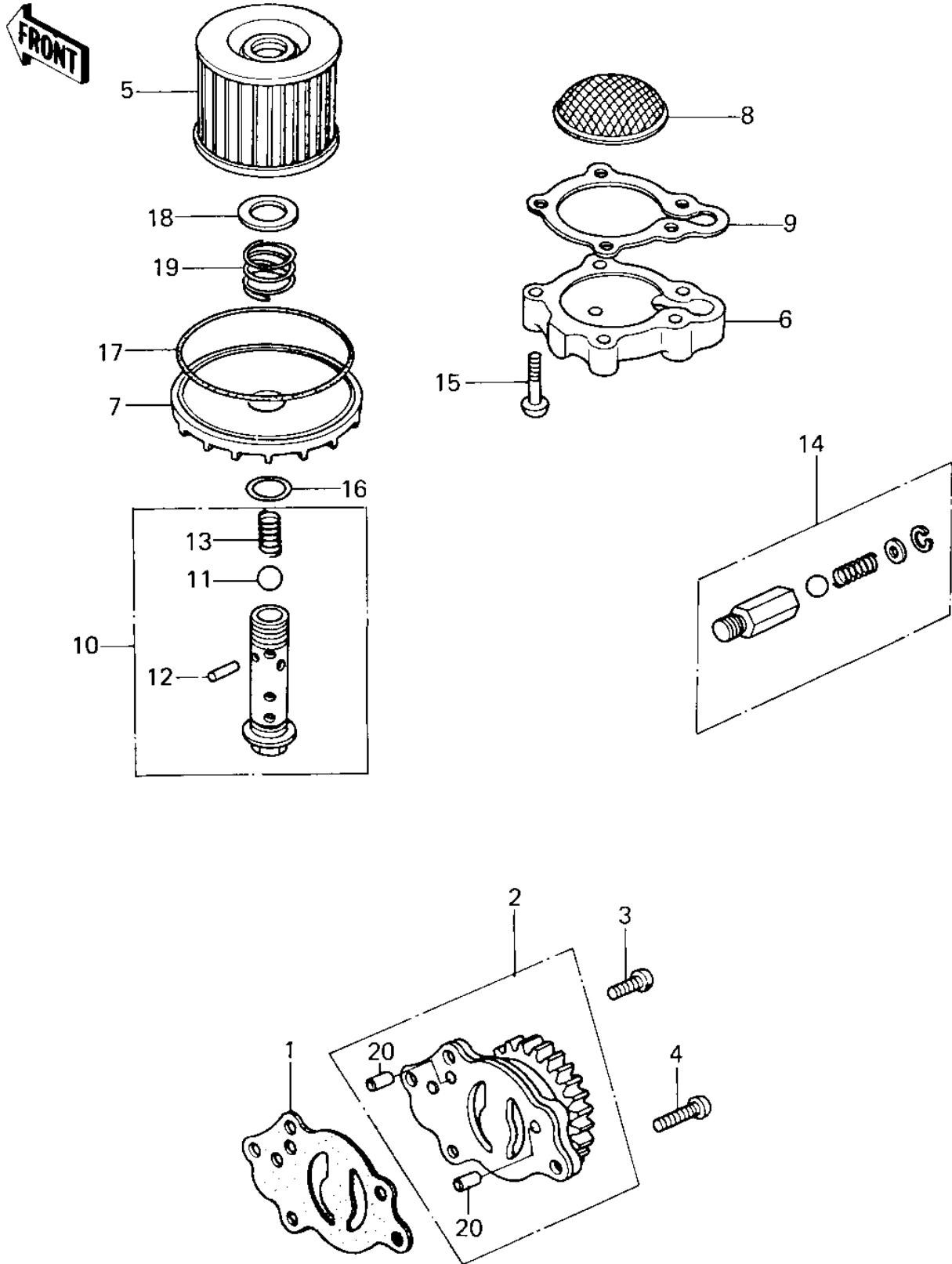


## 1979 400 LTD PARTS DIAGRAM

OIL PUMP/OIL FILTER



## 1979 400 LTD PARTS LIST

### OIL PUMP/OIL FILTER

ITEM NAME	PART NUMBER	QUANTITY
GASKET,OIL PUMP (Ref # 1)	11009-1014	1
OIL PUMP ASSY (Ref # 2)	16082-1001	1
SCREW PAN HEAD 6X10 (Ref # 3)	220B0610	1
SCREW PAN HEAD 6X25 (Ref # 4)	220B0625	1
FILTER,OIL (Ref # 5)	16099-003	1
COVER,OIL STRAINER (Ref # 6)	16101-003	1
COVER,OIL FILTER (Ref # 7)	16101-004	1
STRAINER,OIL (Ref # 8)	16111-003	1
GASKET,OIL FILTER COV (Ref # 9)	11009-1874	1
VALVE,OIL FILTER (Ref # 10)	16126-1108	1
BALL STEEL 3/8' (Ref # 11)	600A1200	1
SPRING PIN (Ref # 12)	92043-111	1
SPRING (Ref # 13)	92081-109	1
RELEAF VALVE ASSY (Ref # 14)	16130-1001	1
SCREW PAN HEAD 6X30 (Ref # 15)	220B0630	1
"O" RING,16MM (Ref # 16)	670B2016	1
"O" RING,90MM (Ref # 17)	671B2590	1
WASHER,20.5X30X1.0 (Ref # 18)	92022-1012	1
SPRING,OIL FILTER (Ref # 19)	92081-1018	1
PIN,DOWEL,6X12 (Ref # 20)	551A0612	1