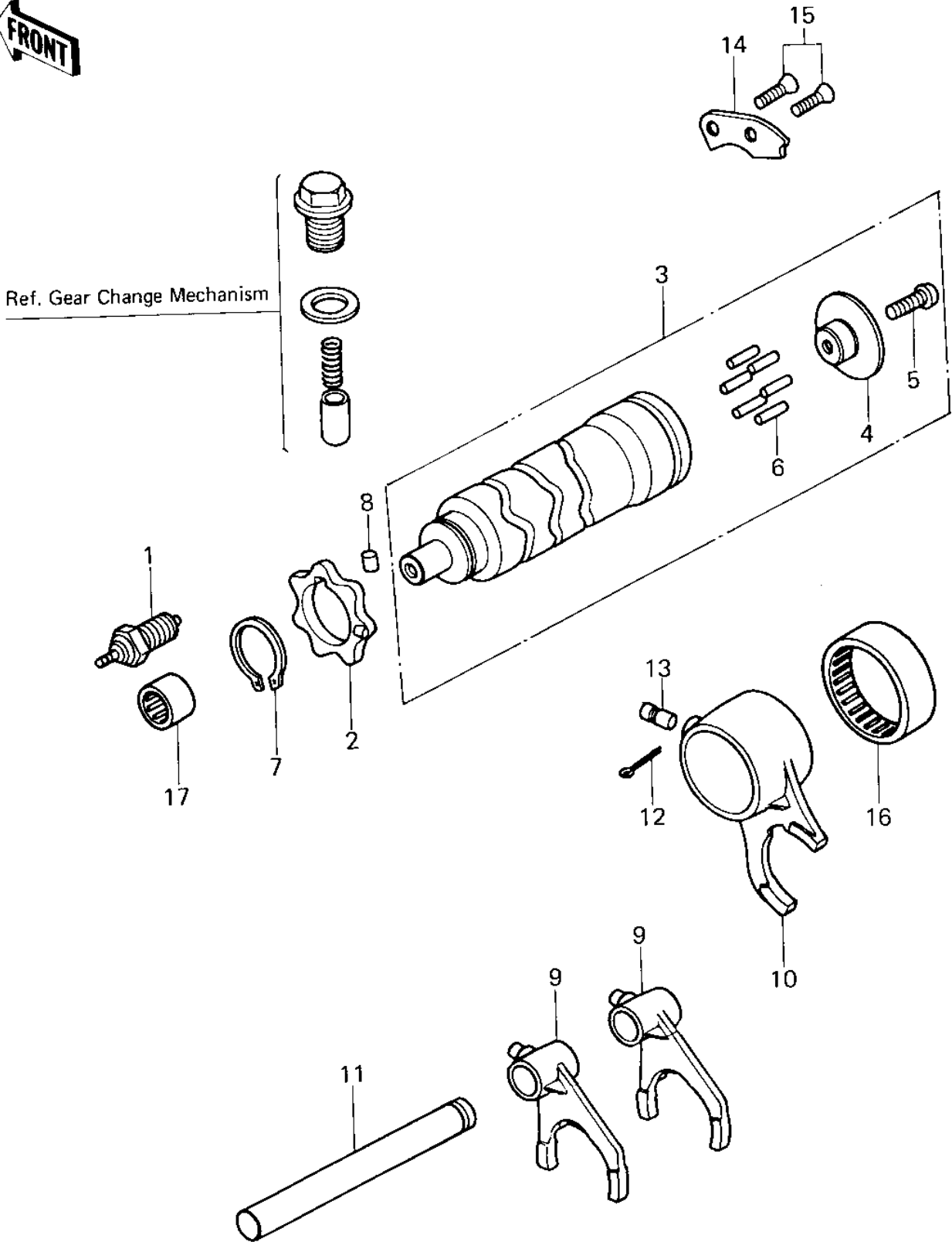


## 1979 400 LTD PARTS DIAGRAM

GEAR CHANGE DRUM/FORKS



## 1979 400 LTD PARTS LIST

### GEAR CHANGE DRUM/FORKS

ITEM NAME	PART NUMBER	QUANTITY
SWITCH,NEUTRAL (Ref # 1)	13151-5002	1
CAM-CHANGE DRUM (Ref # 2)	13145-1058	1
DRUM ASSY,CHANGE (Ref # 3)	13239-1011	1
PLATE,SHIFT DRUM PIN (Ref # 4)	13142-016	1
SCREW PAN HEAD 6X14 (Ref # 5)	220B0614	1
PIN GEAR CHANGE DRUM (Ref # 6)	92042-014	1
CIRCLIP,30MM (Ref # 7)	480J3000	1
PIN-DOWEL,4X6 (Ref # 8)	610A0406	1
FORK-SHIFT,1,4&2,3 (Ref # 9)	13140-1067	1
FORK-SHIFT,5TH&TOP (Ref # 10)	13140-1053	1
ROD,SHIFT (Ref # 11)	13209-022	1
PIN COTTER 3.0X20 (Ref # 12)	550D3020	1
DOWEL PIN,8X18 (Ref # 13)	92042-021	1
PLATE,SIFT DRM POSITN (Ref # 14)	14014-1001	1
SCREW,CSK,6X16 (Ref # 15)	92009-1007	1
BRG,NEDL,37BTM4312 (Ref # 16)	92046-051	1
BEARING,NEEDLE,HK1210 (Ref # 17)	92046-1010	1