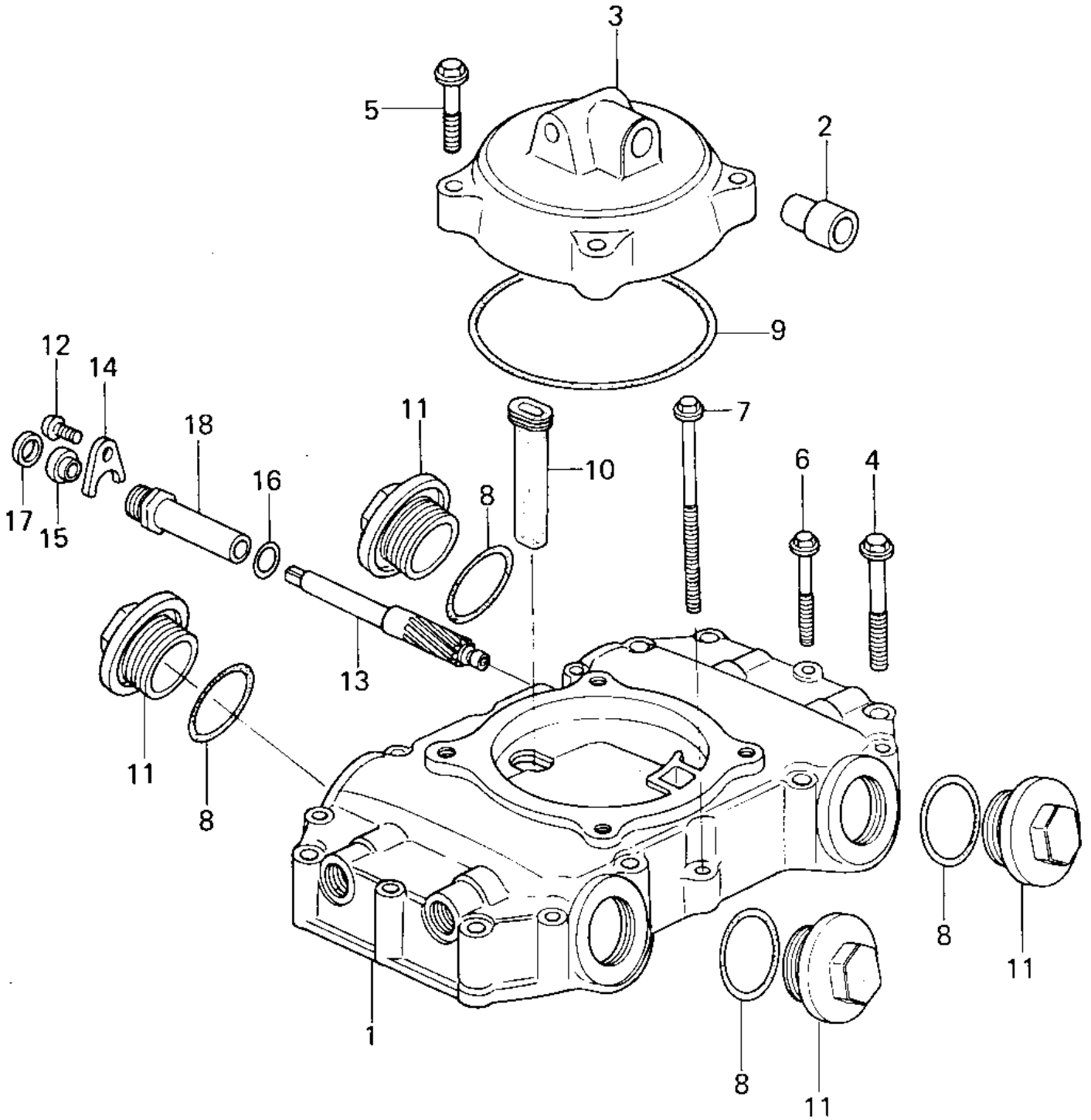


## 1979 400 LTD PARTS DIAGRAM

CYLINDER HEAD COVER



## 1979 400 LTD PARTS LIST

### CYLINDER HEAD COVER

ITEM NAME	PART NUMBER	QUANTITY
CASE ROCKER (Ref # 1)	11022-1001	1
BREATHER JOINT (Ref # 2)	14067-006	1
BODY,BREATHER (Ref # 3)	14070-1004	1
BOLT,HEX HEAD 8X63 (Ref # 4)	92002-1215	1
BOLT,HEX HEAD,8X40 (Ref # 5)	92002-1214	1
BOLT,HEX HEAD,6X54 (Ref # 6)	92003-110	1
BOLT,6X105 (Ref # 7)	92003-194	1
"O" RING,VLV ADJUST (Ref # 8)	92055-1005	1
"O" RING,BREATHER (Ref # 9)	92055-1020	1
TUBE,BREATHER (Ref # 10)	92059-1002	1
PLUG,VLV ADJUST (Ref # 11)	92066-1006	1
SCREW PAN HEAD 6X10 (Ref # 12)	220B0610	1
GEAR,METER SCREW (Ref # 13)	41060-1013	1
CLAMP,METER GEAR (Ref # 14)	92037-1030	1
OIL SEAL (Ref # 15)	92050-075	1
"O" RING,METER GEAR (Ref # 16)	92055-1021	1
GASKET,TACHOMETER GER (Ref # 17)	92065-103	1
BUSHING,METER GEAR (Ref # 18)	92087-1001	1