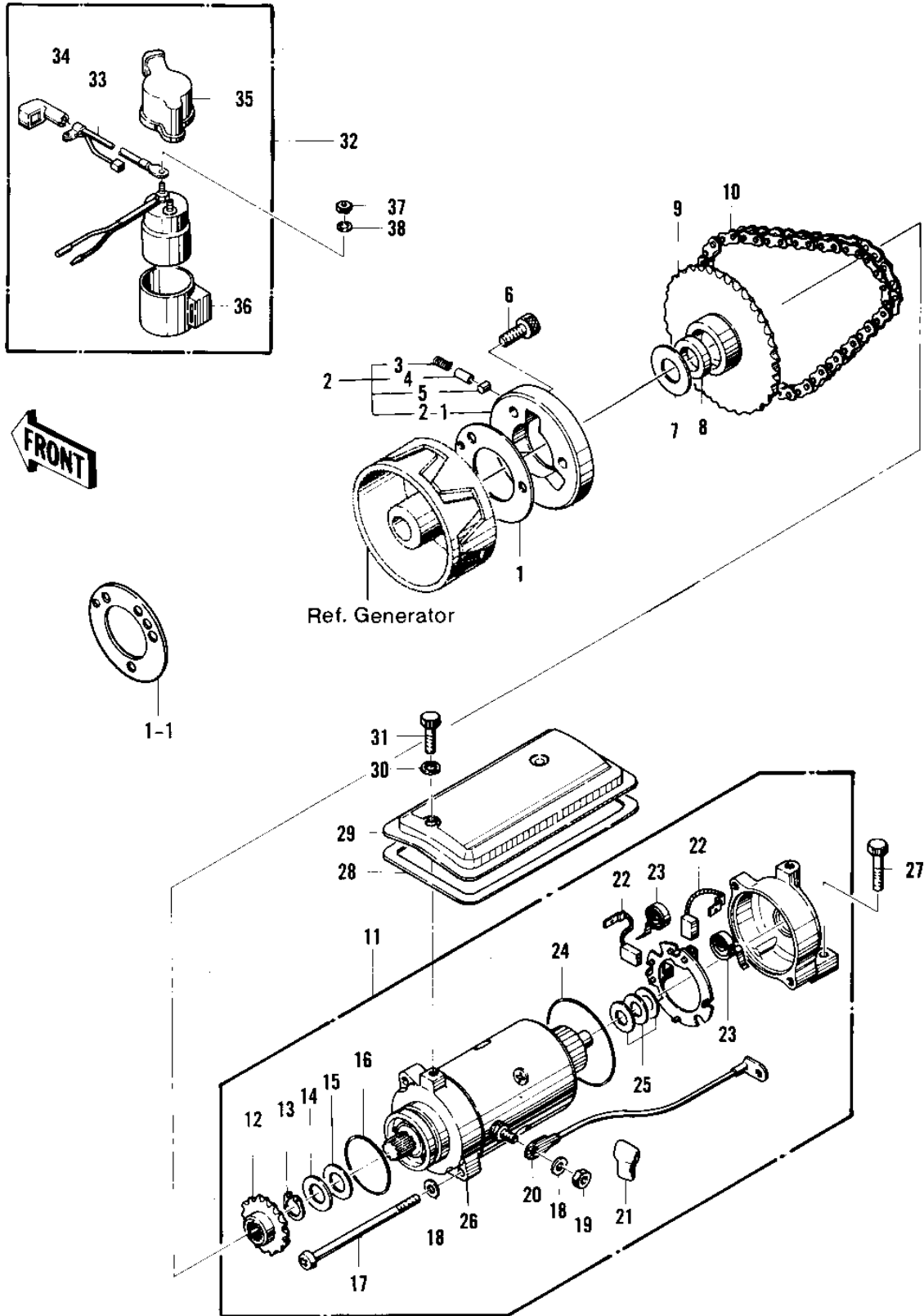


## 1976 KZ400 Standard PARTS DIAGRAM

STARTER MOTOR/STARTER CLUTCH ('76-'77)



## 1976 KZ400 Standard PARTS LIST

STARTER MOTOR/STARTER CLUTCH ('76-'77)

ITEM NAME	PART NUMBER	QUANTITY
WASHER,FREE WHEEL (Ref # 1)	92026-082	1
PLATE,CLUTCH STARTER (Ref # 1-1)	92026-112	1
CLUTCH ASSY,STARTER (Ref # 2)	13193-1001	2
.SPRING (Ref # 3)	92081-110	1
.PIN (Ref # 4)	92043-087	1
.ROLLER (Ref # 5)	92122-004	1
BOLT (Ref # 6)	120P0816	1
WASHER,THRUST (Ref # 7)	92026-100	1
OIL SEAL (Ref # 8)	92050-066	1
GEAR STARTER CLUTCH (Ref # 9)	21170-001	1
CHAIN,DYNAMO (Ref # 10)	92057-1009	2
MOTOR ASSY,STARTER (Ref # 11)	21163-1011	2
.SPROCKET STARTNG MOT (Ref # 12)	21053-002	1
.CIRCLIP 14MM (Ref # 13)	480J1400	1
.WASHER,PLAIN,14MM (Ref # 14)	21025-008	1
.WASHER PLAIN 14MM (Ref # 15)	21025-009	1
."O" RING,42.8MM (Ref # 16)	21027-005	1
.SCREW PAN HEAD 6X110 (Ref # 17)	220B06110	1
.WASHER SPRING 6MM (Ref # 18)	461F0600	2
.NUT 6MM (Ref # 19)	312B0600	1
.WIRE STRTER MOT LEAD (Ref # 20)	26010-035	1
.CAP,STARTING MOTOR (Ref # 21)	21017-020	1
.BRUSH CARBON (Ref # 22)	21039-004	1
.SPRING CARBON BRUSH (Ref # 23)	21040-004	1
."O" RING,62MM (Ref # 24)	21027-006	1
.WASHER,PLAIN,9MM (Ref # 25)	21025-007	1
.REPAIR KIT,KZ400 STAT (Ref # 26)	99990-536	1
BOLT-UPSET (Ref # 27)	112G0625	1
GASKET START MOT COV (Ref # 28)	21166-002	1

## 1976 KZ400 Standard PARTS LIST

STARTER MOTOR/STARTER CLUTCH ('76-'77)

ITEM NAME	PART NUMBER	QUANTITY
COVER STARTER MOTOR (Ref # 29)	21165-002	1
WASHER,PLAIN,6MM (Ref # 30)	410D0600	1
BOLT-FLANGED-SMALL (Ref # 31)	132E0612	1
SWITCH ASSY,MAGNETIC (Ref # 32)	21164-006	1
.WIRE,LEAD,MAG SWITCH (Ref # 33)	26011-1027	1
.CAP,MAG SWTCH TERMNL (Ref # 34)	21017-021	1
.COVER MAGNETIC SWITCH (Ref # 35)	21141-004	1
.DAMPER MAG SWITCH SHK (Ref # 36)	21064-002	1
NUT 6MM (Ref # 37)	311B0600	1