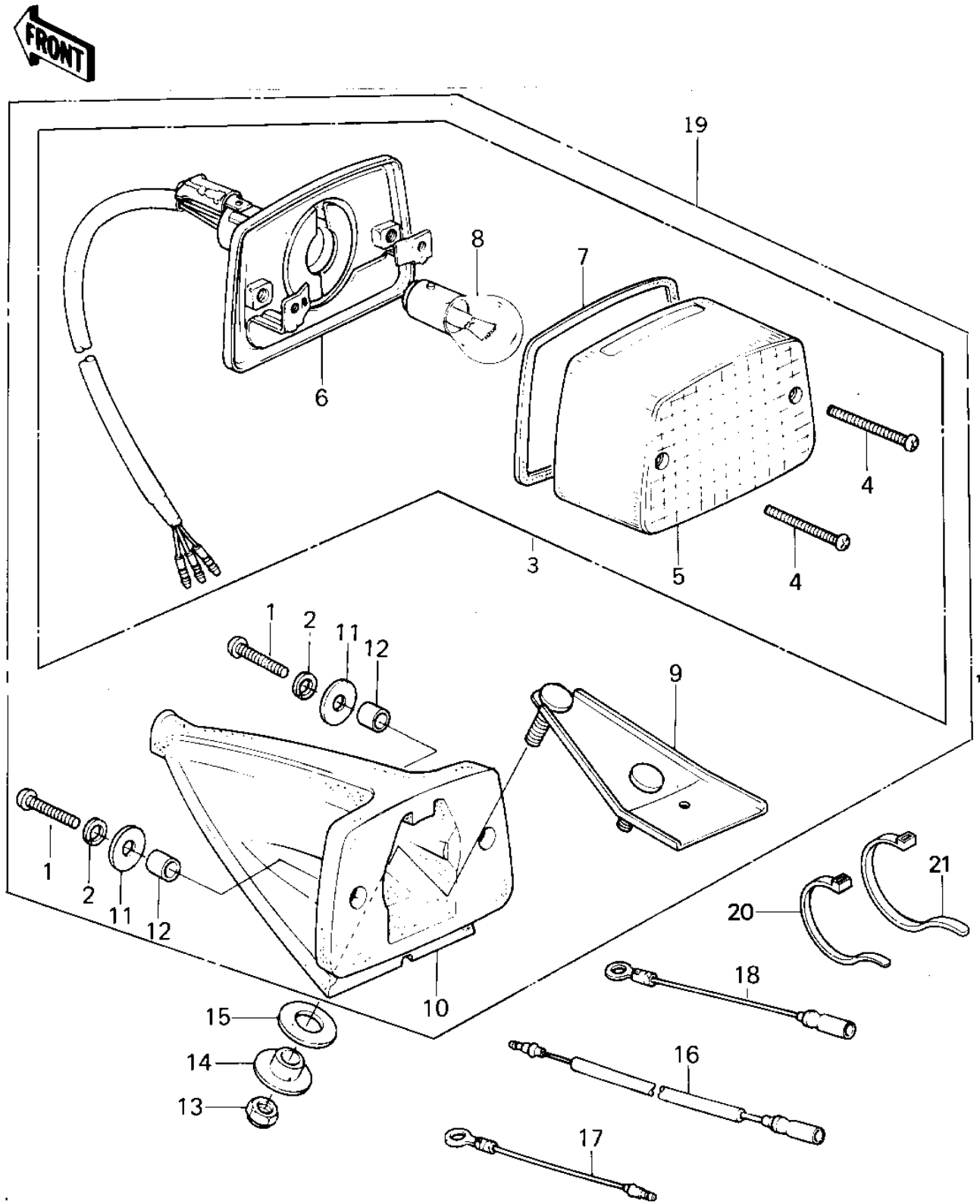


1979 KDX™400 PARTS DIAGRAM

TAILLIGHT/CHASSIS ELECTRICAL EQUIPMENT



1979 KDX™400 PARTS LIST

TAILLIGHT/CHASSIS ELECTRICAL EQUIPMENT

ITEM NAME	PART NUMBER	QUANTITY
UNAVAILABLE IN PRICE BOOK (Ref # 1)	214B0516A	1
WASHER SPRING 5MM (Ref # 2)	461F0500	1
LAMP, TAIL (Ref # 3)	23025-075	1
SCREW-PAN-CROS (Ref # 4)	220B0330	1
LENS, TAIL LAMP (Ref # 5)	23026-040	1
CASE, TAIL LAMP (Ref # 6)	23027-044	1
GASKET, TAIL LIGHT (Ref # 7)	23028-020	1
BULB, 6V 17/5.3W (Ref # 8)	92069-028	1
BRACKET, TAIL LAMP (Ref # 9)	23036-4001	1
BODY, TAIL LAMP (Ref # 10)	23069-4001	1
WASHER, TAIL LAMP (Ref # 11)	92022-4001	1
COLLAR, TAIL LAMP (Ref # 12)	92027-4002	1
NUT (Ref # 13)	92019-008	1
COLLAR (Ref # 14)	92027-1045	1
DAMPER RUBBER (Ref # 15)	92075-118	1
WIRE, TAILLAMP (Ref # 16)	26011-4001	1
WIRE, GROUND HEADLAMP (Ref # 17)	26011-4002	1
WIRE, GROUND TAILLITE (Ref # 18)	26011-4003	1
TAIL LAMP ASSY (Ref # 19)	23024-4001	1
BAND (Ref # 20)	92072-3505	1
BAND (Ref # 21)	92072-3509	1