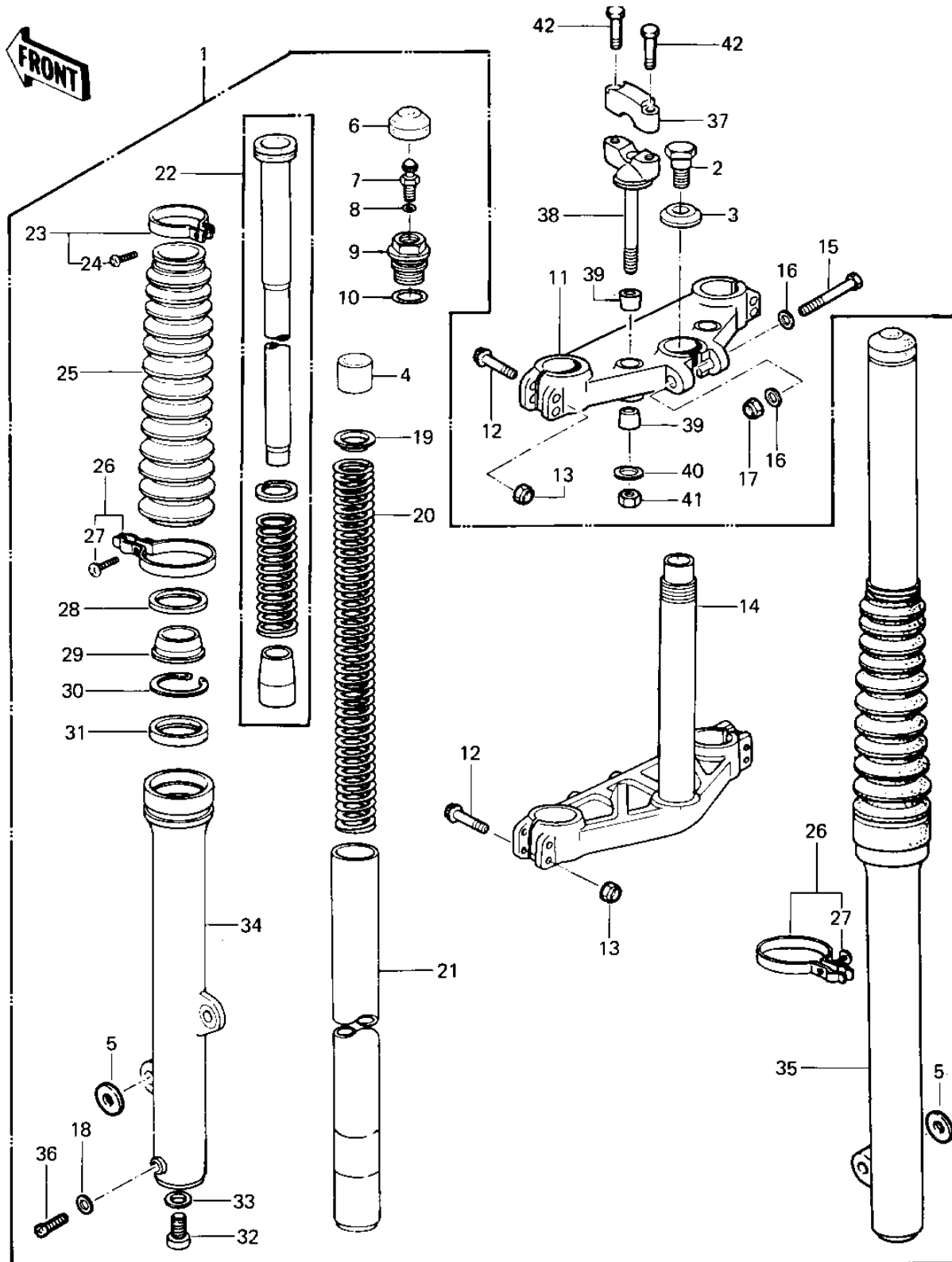


## 1979 KDX™400 PARTS DIAGRAM

FRONT FORK



1042-22-19

## 1979 KDX™400 PARTS LIST

### FRONT FORK

ITEM NAME	PART NUMBER	QUANTITY
FORK-FRONT (Ref # 1)	44001-4001	1
BOLT,FORK TOP (Ref # 2)	44041-065	1
WASHER (Ref # 3)	44043-052	1
SPACER,FORK SPRING (Ref # 4)	92026-4002	1
WASHER,FORK (Ref # 5)	92022-4006	1
CAP,RUBBER,FORK TOP (Ref # 6)	44029-1009	1
VALVE ASSY,AIR (Ref # 7)	16126-1003	1
"O" RING,AIR VALVE (Ref # 8)	92055-1018	1
CAP,FORK TOP (Ref # 9)	44029-1008	1
"O" RING,FORK TOP CAP (Ref # 10)	92055-1050	1
HEAD,STEERING STEM (Ref # 11)	44039-4004	1
BOLT,HEX HEAD,8X53 (Ref # 12)	92001-1060	1
NUT,8M/M (Ref # 13)	44007-1002	1
HOLDER-FORK UNDER (Ref # 14)	44037-1066	1
BOLT,HEX HEAD,8X57 (Ref # 15)	92001-1141	1
WASHER PLAIN 8MM (Ref # 16)	410B0800	1
NUT,LOCK,8MM (Ref # 17)	92015-1124	1
GASKET FORK DRAIN PLG (Ref # 18)	44045-002	1
GUIDE,FORK SPRING (Ref # 19)	44028-1003	1
SPRING,FORK INNER (Ref # 20)	44026-4001	1
TUBE,FORK INNER (Ref # 21)	44013-4001	1
CYLINDER-FORK (Ref # 22)	44022-4001	1
BAND,BOOTS (Ref # 23)	92072-1008	1
SCREW-PAN-CROS (Ref # 24)	220B0420	1
BOOT,FORK (Ref # 25)	49006-4002	1
CLAMP,BOOT,L.H (Ref # 26)	92072-1026	1
SCREW PAN HEAD 6X20 (Ref # 27)	220B0620	1
CASE,DUST SHIELD (Ref # 28)	32099-1010	1
DUST SHIELD,FORK OUT (Ref # 29)	92093-1022	1

## 1979 KDX™400 PARTS LIST

### FRONT FORK

ITEM NAME	PART NUMBER	QUANTITY
SNAP RING,FORK OUT TU (Ref # 30)	92033-1035	1
OIL SEAL,FORK OUT TUB (Ref # 31)	92049-1042	1
BOLT,FORK CYLINDER (Ref # 32)	92001-1186	1
GASKET,FORK CYLINDER (Ref # 33)	11009-1127	1
TUBE,LH,FORK OUTER (Ref # 34)	44005-4001	1
TUBE,RH,FORK OUTER (Ref # 35)	44006-4001	1
SCREW PAN HEAD 4X8 (Ref # 36)	220B0408	1
HOLDER-HANDLEBAR (Ref # 37)	46012-008	1
HOLDER-HANDLEBAR LOW (Ref # 38)	46012-010	1
DAMPER RUBBER,HANDLE (Ref # 39)	92075-275	2
WASHER-HANDLEBAR FIT (Ref # 40)	92022-196	1
NUT,LOCK,10MM (Ref # 41)	92019-021	1
BOLT 8X38 (Ref # 42)	92001-1405	1