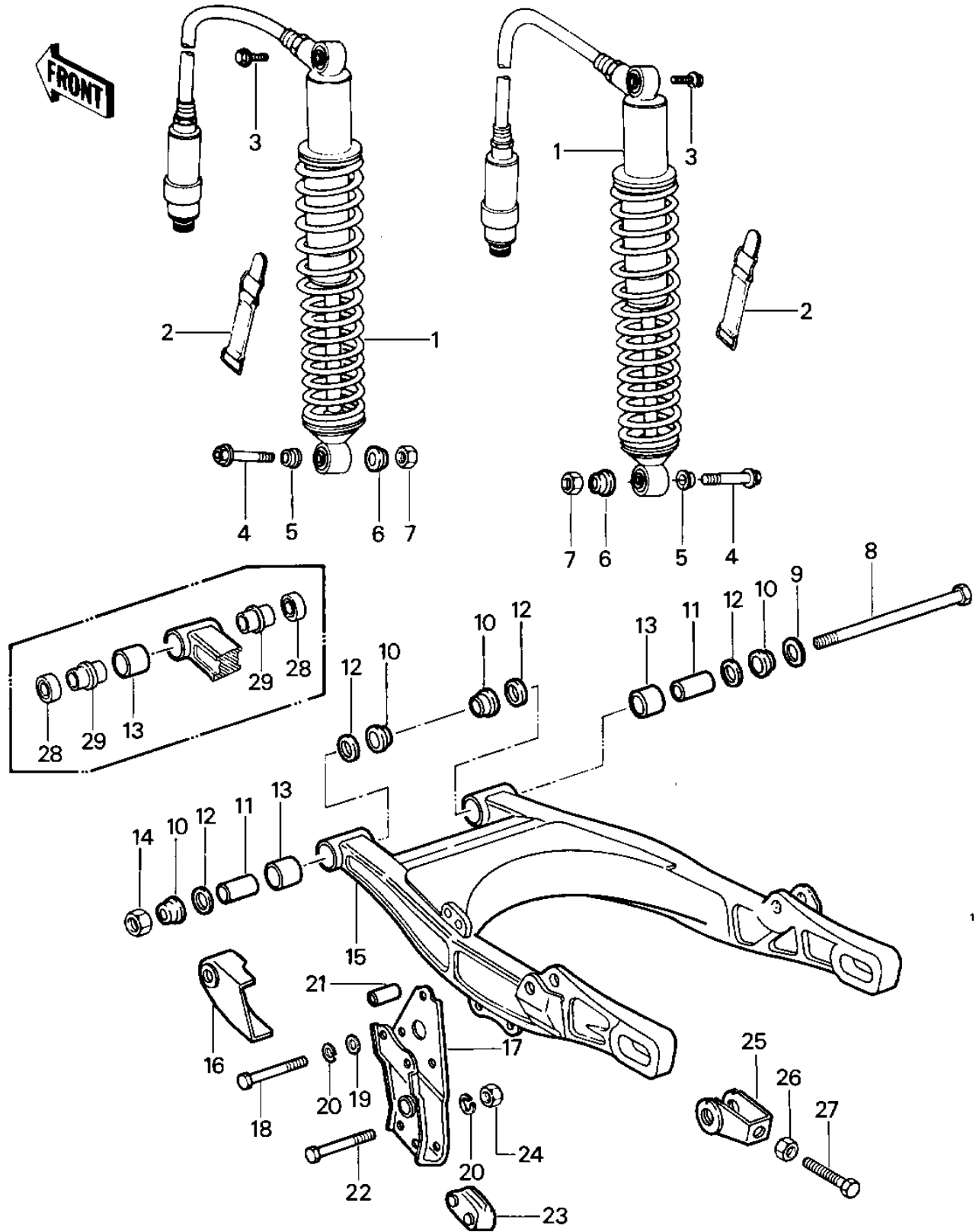


1979 KDX™400 PARTS DIAGRAM

SWING ARM/SWING ARM SHOCK ABSORBERS



1979 KDX™400 PARTS LIST

SWING ARM/SHOCK ABSORBERS

ITEM NAME	PART NUMBER	QUANTITY
SHOCK ABSBR RR (Ref # 1)	45014-4004	1
BAND,FUEL TANK (Ref # 2)	92072-076	1
BOLT,HEX HEAD,6X10 (Ref # 3)	92001-1034	1
BOLT,HEX HEAD,10X48 (Ref # 4)	92001-1029	1
COLLAR (Ref # 5)	92027-1029	1
COLLAR (Ref # 6)	92027-1030	1
NUT,LOCK,10MM (Ref # 7)	92019-021	1
SHAFT,SWING ARM (Ref # 8)	33032-4001	1
WASHER PLAIN 14MM (Ref # 9)	411B1400	1
BUSHING,SWING ARM (Ref # 13)	92028-4001	1
NUT-LOCK,14MM (Ref # 14)	92019-011	1
SWING ARM (Ref # 15)	33001-4001	1
GUIDE,CHAIN (Ref # 16)	12053-1047	1
CHAIN GUIDE (Ref # 17)	55020-4001	1
BOLT-UPSET (Ref # 18)	112G0660	1
WASHER PLAIN 6MM (Ref # 19)	411B0600	1
WASHER SPRING 6MM (Ref # 20)	461F0600	1
COLLAR (Ref # 21)	92027-4003	1
BOLT 6X35 (Ref # 22)	110R0635	1
GUIDE,CHAIN,REAR (Ref # 23)	12053-1011	1
NUT 6MM (Ref # 24)	311B0600	1
ADJUSTER,CHAIN (Ref # 25)	33040-4001	1
NUT 8MM (Ref # 26)	318G0800	1
BOLT,CHAIN ADJUSTER (Ref # 27)	92001-1027	1
OIL SEAL (Ref # 28)	92049-1011	1
SLEEVE,SWING ARM (Ref # 29)	42036-1026	1